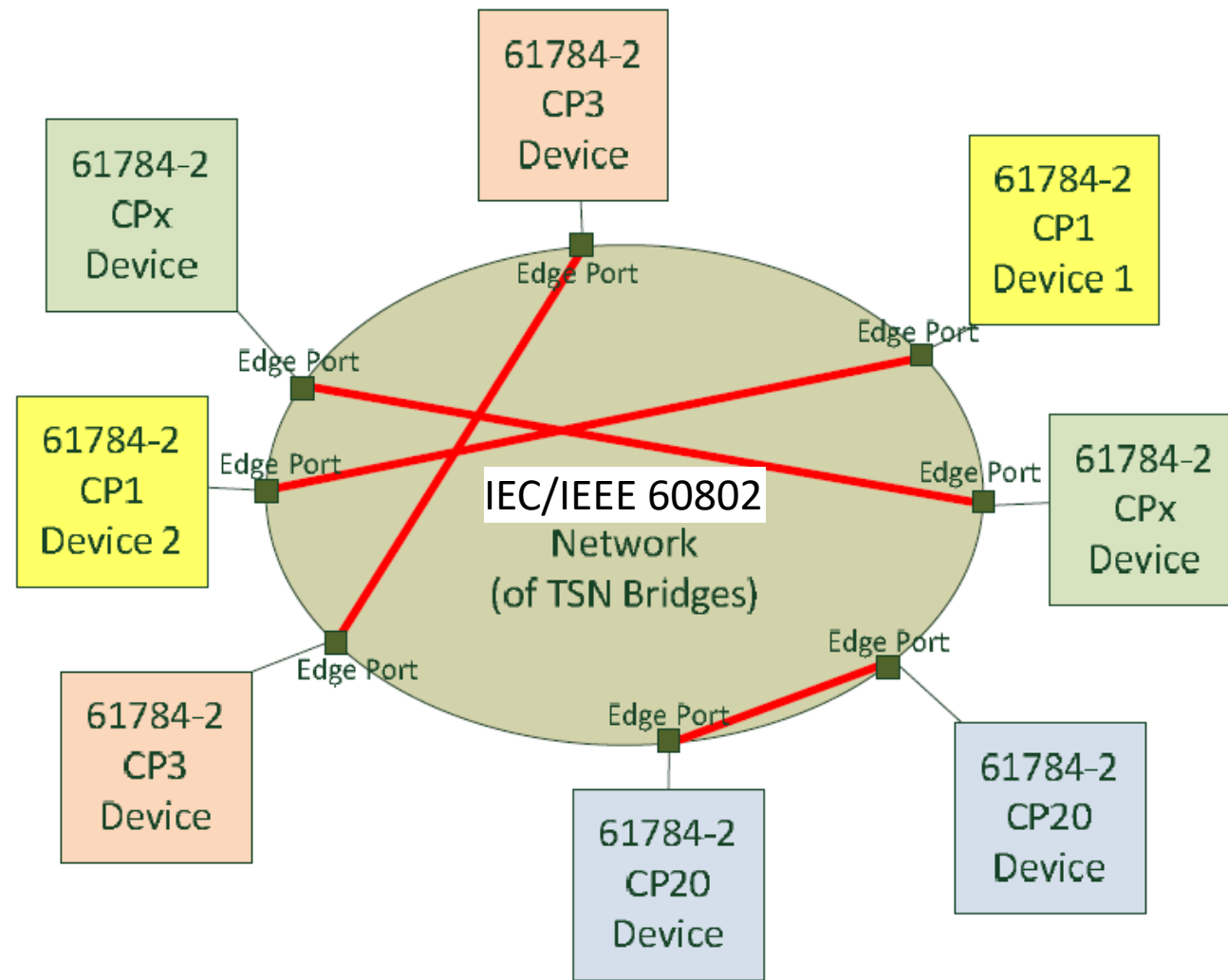


TSN-IA Network Model

IEEE/IEC JWG-TSN

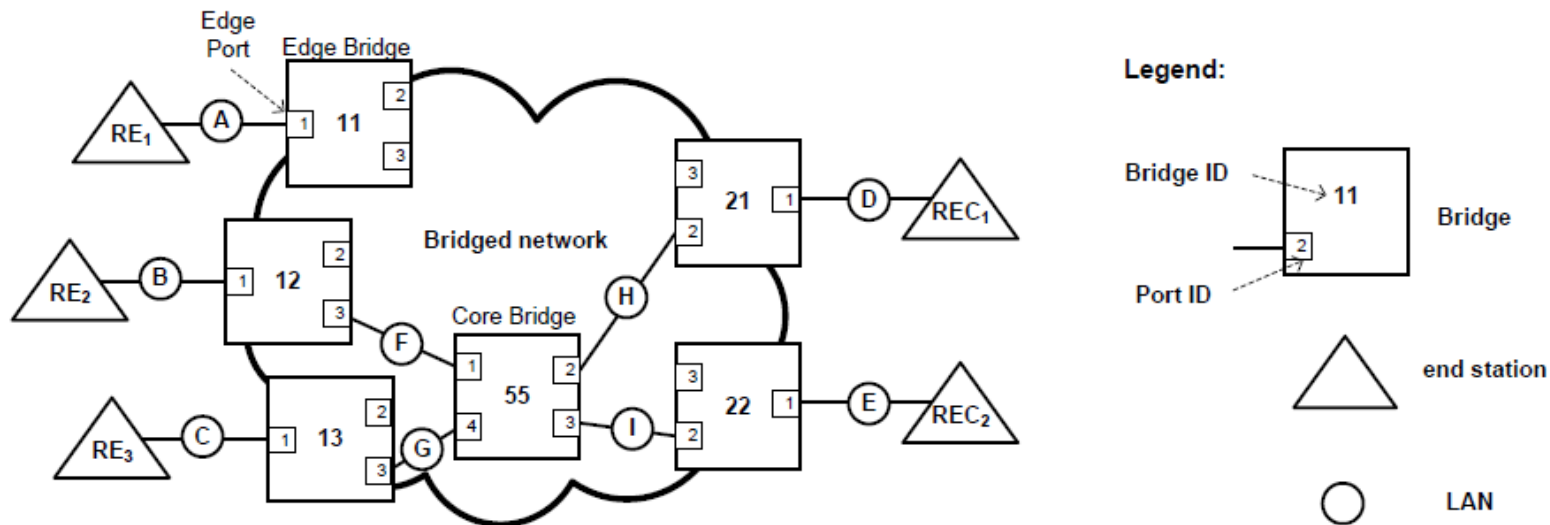
Taro Harima

Original Proposal Model



IEEE 802.1Q Network Model

P802.1CM – TSN FOR FRONTHAUL



- › Develop standard TSN Profiles for Fronthaul in order to enable the transport of Fronthaul streams in a bridged network
- › Current focus: Profile(s) for current (CPRI 7.0) Radio Base Station (RBS) split such that the different Fronthaul flows (IQ, C&M, and Sync) are supported separate from each other
- › Further profiles may be specified, e.g., for future RBS split

Interpretation with IEEE802.1Q Model

