

Project	IEEE 802.16 Broadband Wireless Access Working Group < http://ieee802.org/16 >
Title	Definitions for H-FDD mode in OFDMA
Date Submitted	2004-08-19
Source(s)	Intel. Yuval Lomnitz Yuval.Lomnitz@intel.com Noam Kogan Noam.Kogan@intel.com Yigal Eliaspur Yigal.Eliaspur@intel.com Dov Andelman
Re:	IEEE P802.16REVd/D5-2004
Abstract	Definitions for H-FDD mode in OFDMA
Purpose	
Notice	This document has been prepared to assist IEEE 802.16. It is offered as a basis for discussion and is not binding on the contributing individual(s) or organization(s). The material in this document is subject to change in form and content after further study. The contributor(s) reserve(s) the right to add, amend or withdraw material contained herein.
Release	The contributor grants a free, irrevocable license to the IEEE to incorporate material contained in this contribution, and any modifications thereof, in the creation of an IEEE Standards publication; to copyright in the IEEE's name any IEEE Standards publication even though it may include portions of this contribution; and at the IEEE's sole discretion to permit others to reproduce in whole or in part the resulting IEEE Standards publication. The contributor also acknowledges and accepts that this contribution may be made public by IEEE 802.16.
Patent Policy and Procedures	The contributor is familiar with the IEEE 802.16 Patent Policy and Procedures < http://ieee802.org/16/ipr/patents/policy.html >, including the statement "IEEE standards may include the known use of patent(s), including patent applications, provided the IEEE receives assurance from the patent holder or applicant with respect to patents essential for compliance with both mandatory and optional portions of the standard." Early disclosure to the Working Group of patent information that might be relevant to the standard is essential to reduce the possibility for delays in the development process and increase the likelihood that the draft publication will be approved for publication. Please notify the Chair < mailto:chair@wirelessman.org > as early as possible, in written or electronic form, if patented technology (or technology under patent application) might be incorporated into a draft standard being developed within the IEEE 802.16 Working Group. The Chair will disclose this notification via the IEEE 802.16 web site < http://ieee802.org/16/ipr/patents/notices >.

Definitions for H-FDD mode in OFDMA

*Yuval Lomnitz, Yigal Eliaspur
Dov Andelman, Noam Kogan*

1. Motivation

The definition of H-FDD mode for OFDMA-PHY is partial and doesn't enable correct operation. In addition, the H-FDD scheme is complicated to implement and inefficient when applied to OFDMA. We propose a set of rules that define the missing details and simplify operation.

2. Details

2.1. Problems with current standard

2.1.1. Missing UL-subframe duration

It is not specified whether in FDD the UL-subframe terminates at the end of the frame or may continue to the next frame (as may be implied by figure 49 in section 6.3.7.5 (Map relevance and synchronization). If the UL-subframe may continue to the next frame, then the length of the UL-subframe must be specified (it is not; in TDD the SS can assume the UL-subframe terminates at the end of the frame).

2.1.2. Unspecified definitions for contention and broadcast areas

According to 8.4.4.2 the BS should not allocate a DL transmission that collides with a scheduled UL allocation, but the following details are not specified:

- (a) Is a contention (ranging/BW-req) allocation considered an UL allocation for all users ? Since SS initiate initial/periodic ranging transmissions, should the BS assume that any SS may potentially transmit and refrain from allocating DL for it (if it is H-FDD) ? Or is it assumed that a transmitting SS will lose the DL transmission (with small effect on performance, assuming ranging is rare). Note that in this case the SS cannot postpone the contention transmission when it collides with a DL allocation, since DL allocations may be broadcast or without CID.
- (b) Are the preambles and/or the MAPs considered a "DL transmission" for this matter ? I.e. should H-FDD users always assume they will be allowed to receive the preamble & MAPs ? From figure 44 (6.3.7.1) it is implied that an H-FDD user will not be required to transmit during the preamble and the broadcast part of the DL-subframe

2.1.3. Inefficiency due to OFDMA transmission scheme

For other PHYs in 802.16 the multi-user access method is TDMA. Therefore, each SS will receive its DL data for small time portion frame, and transmit UL data in small portion of the frame time. The H-FDD scheme is based on this fact, relying on the BS scheduler to interleave the UL and DL portions of each SS in such a way that efficiency will be maintained.

In OFDMA, there is multiple access in frequency and time division, so that each SS usually receives and transmits in large portions of the frame time. Especially in the UL, the allocations are made in time-

first order such that almost every UL transmission occupies all the UL-subframe (/zone) duration. With this multiple access structure the notion of transmitting part of the time and receiving part of the time during the same frame loses its value, and only poses complications.

2.1.4. Reliance on FDD subscribers

The current definition of H-FDD relies on the existence of non-H-FDD subscribers in order to make use of the bandwidth that cannot be used by H-FDD subscribers (for example, the UL portions overlapping the preamble, and the DL portions overlapping the ranging allocations).

However, since no single SS uses the entire channel bandwidth, in actual deployments it does not make sense to install FDD subscribers which are more expensive than H-FDD subscribers. So an efficient FDD/H-FDD scheme shouldn't assume that FDD subscribers necessarily exist.

2.2. Proposed solution

The idea behind the proposed solution is to achieve similar performance and system-like behavior to TDD but, using 1/2 the frame duration. Example: TDD with 5ms frame w.r.t an H-FDD SS in FDD with 2.5ms frame.

2.2.1. Proposed set of rules for H-FDD

In order to achieve this, we define a set of rules that define the missing details and simplify operation:

- (a) If an H-FDD SS transmits any time in a given frame (even part of the time), it is not required to receive during that frame or any frame that overlaps with the transmission, including the allowance for SSRTG, SSTTG and RTD. This includes the preamble and the broadcast area that contains the FCH, DL and UL MAPs, DCD, UCD, etc. For this matter, transmission means a data allocation, fast feedback transmission, and CDMA transmissions.
- (b) UL map relevance:
 - i. Minimum value: Allocation Start Time $\geq 3 \cdot T_f$
 - ii. Maximum value: Allocation Start Time $< 4 \cdot T_f$
 - iii. $T_{\text{proc}} = 2 \cdot \text{Frame}$
- (c) The BS shall not allocate any UL allocations for an H-FDD SS in any two contiguous frames (UL after UL). For this matter, allocations include UL data, fast feedback transmission, and CDMA transmissions.
- (d) When the BS allocates a broadcast periodic ranging / BW request allocation the consequence may be that every H-FDD subscriber may potentially transmit contention transmission and as a result will not receive the entire frame. In order to mitigate this problem we propose a mechanism to direct contention allocations to groups of SS, based on the LSB of their CID. The mechanism is based on two unique CIDs that are used instead of the broadcast CID. The change is backward-compatible and doesn't not require any changes/additions of IEs.
- (e) For initial ranging the BS may use a broadcast allocation (since these users are not required to receive).

2.2.2. Usage Example

In the following example we show how, under the above rules, the scheduler can obtain the same system behavior and efficiency of a TDD system (with equal UL and DL portions), with the same processing requirements on the SS.

The H-FDD system will use half the frame duration of the respective TDD system. A possible way to allocate UL and DL bandwidth, is such that each H-FDD subscriber may receive on each even frame and may transmit on odd frames, or vice versa. This way two H-FDD frames (DL frame + UL frame) are analogous to one TDD frame (DL+UL). Part of the users will receive on even frames and transmit on odd frames and the other part will receive on odd frames and transmit on even frames.

The BS will align the UL and DL subframes, so that the when transmitting the SS will not receive only a single downlink frame.

Periodic ranging and bandwidth request allocations can be made in either of two ways:

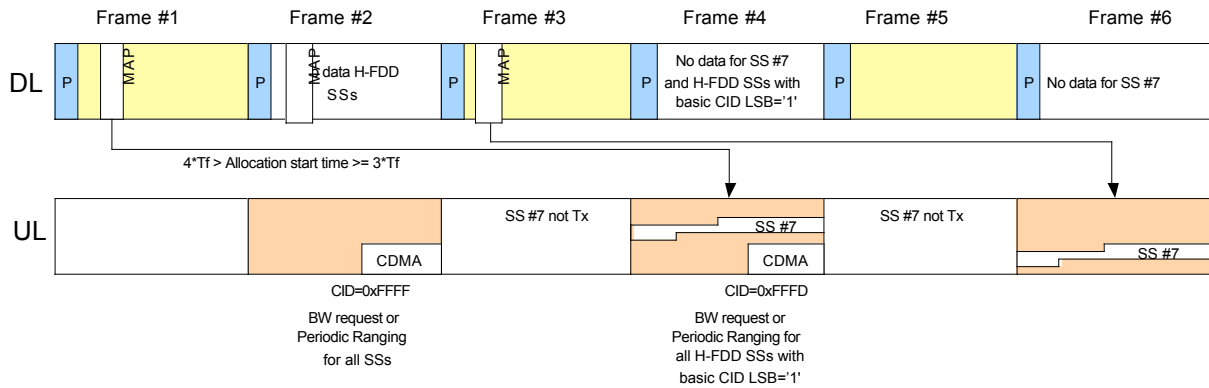
1. Using a broadcast allocation every N frames – in this case this frame should not include any DL information for H-FDD users.
2. Splitting the SS according to the LSB of their basic CIDs, and using a dedicated ranging allocation addressed only to one group of the users (using the mechanism proposed in (d)). The ranging allocation will be in the frame designated for UL transmission for the users in this group.

Note that the BS has the flexibility of breaking the two-frame structure (DL-UL) for various purposes, such as transmission of broadcast bursts to all subscribers, or transmission of downlink information only.

The UL map relevance is 3 frames ahead, which is similar to UL map relevance of 1 frame ahead in a TDD system with a double frame duration (see figure below).

The following figure illustrates the solution:

FDD



TDD

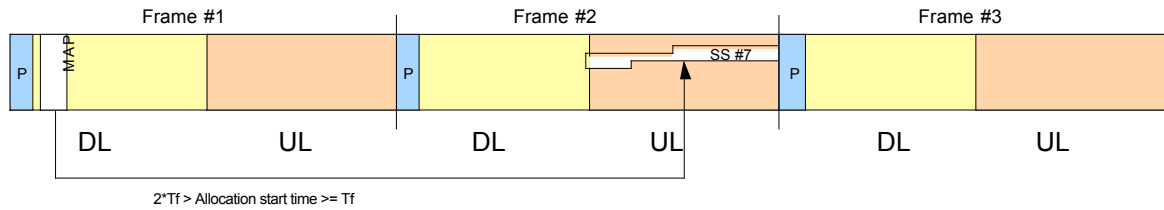


Figure 1 – example of efficient H-FDD operation

Note: the number of symbols in the UL shall be derived according to comment C80216main4_12.

3. Changes summary

6.3.7.1 FDD

[add the following section under 6.3.7.1]

6.3.7.1.1 H-FDD mode in OFDMA

For OFDMA PHY, when the BS allocates uplink bandwidth for a H-FDD SS, then the SS is not required to receive any DL frame which fully or partially overlaps the transmission at the SS antenna interface, including a period of SSRTG before and SSTTG after the transmission. For this matter, transmission means a data allocation, fast feedback transmission allocation, and CDMA transmissions.

The BS shall not allocate any UL transmissions for an H-FDD SS in two consecutive UL-subframes. For this matter, allocations include UL data, fast feedback transmission, and allocation of contention slots that may be used by the SS.

6.3.7.5.4 WirelessMAN-OFDMA PHY

[Make the following change]

For TDD, the Allocation Start Time shall be subject to the following limitations:

- Minimum value: Allocation Start Time $\geq T_f$
- Maximum value: Allocation Start Time $< 2 \cdot T_f$

For FDD, the Allocation Start Time shall be subject to the following limitations:

- Minimum value: Allocation Start Time $\geq 3 * T_f$
- Maximum value: Allocation Start Time $< 4 * T_f$

[add figure 49a]

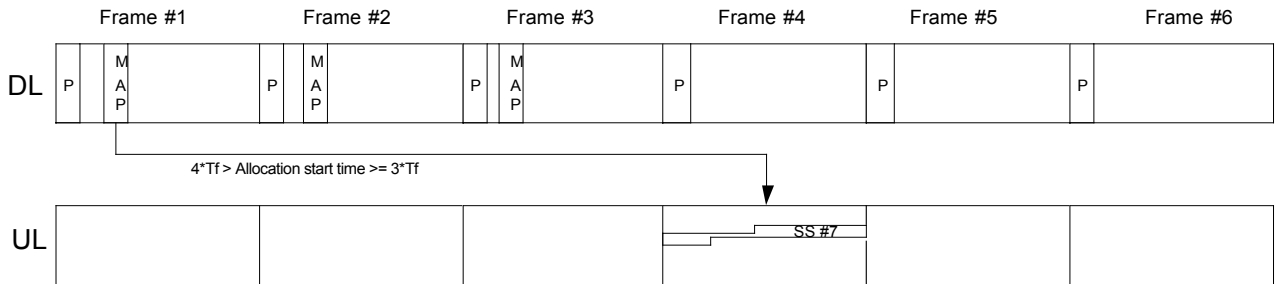


Figure 49a – MAP relevance for H-FDD in OFDMA PHY

8.4.5.4 UL-MAP IE format

[Add the following paragraph starting from p. 534 line 11]

Two unique values of CID that appear in UIUC=12 allocations are reserved for indicating allocations for groups of SS with specific value of LSB of the basic CID. CID=0xFFFC indicates the group of SS with even basic CID, and CID=0xFFFD indicates the group of SS with odd basic CID. This mechanism may be used for H-FDD operation.