

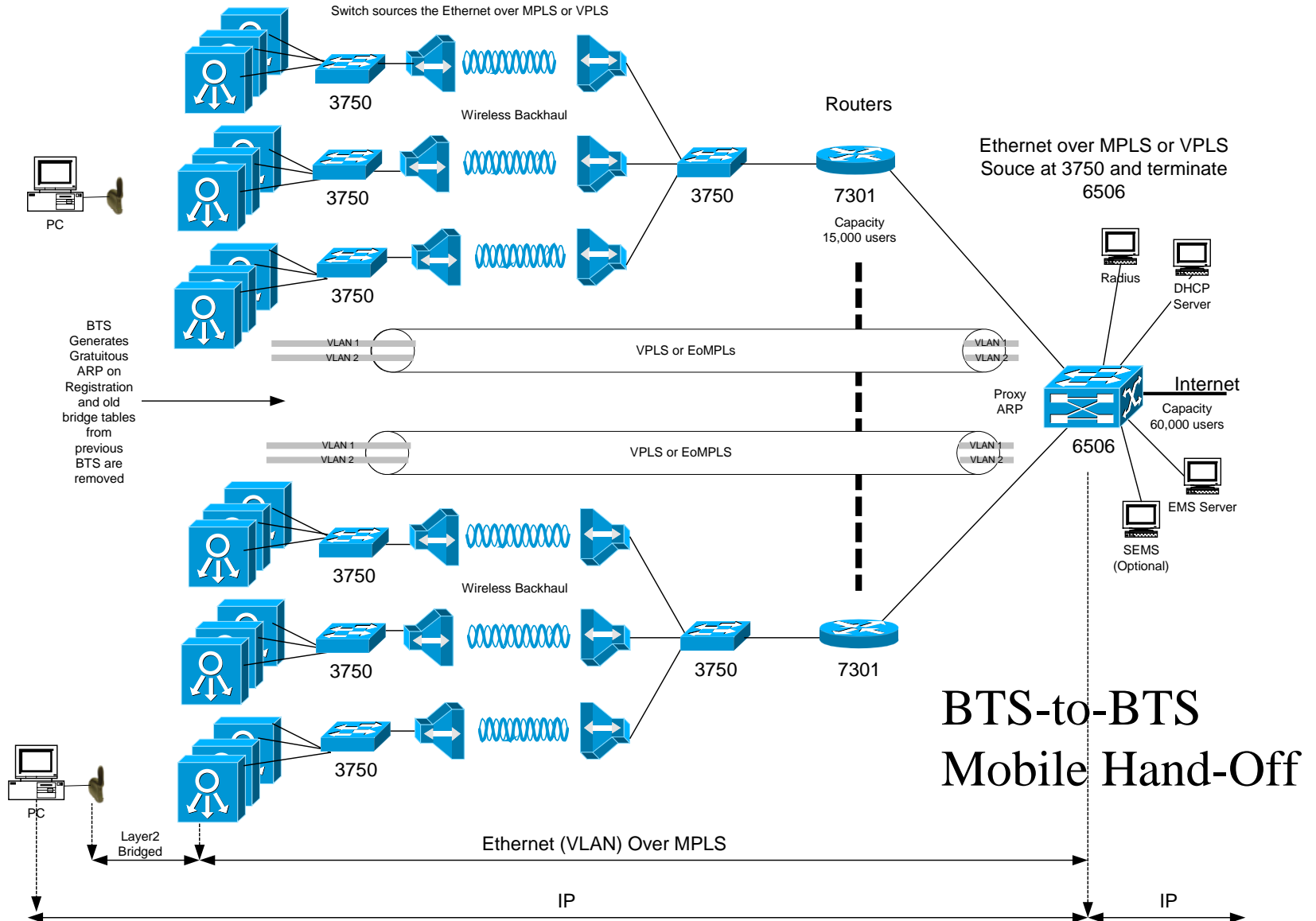
Project	IEEE P802.16 Broadband Wireless Access Working Group < <a href="http://ieee802.org/16">http://ieee802.org/16</a> >	
Title	802.16e integration into possible mobile networks	
Date Submitted	26 January 2005	
Source(s)	Dave Maez, Navini Networks	Tel:+972852-4229, dmaez@navini.com
	IEEE C802.16g-05/007	
Abstract	The network examples in this presentation provide discussion points for possible existing mobile core networks integration options. In addition, dialog is open for discussion on possible mobile networks using layer 2 core networks.	
Purpose	To provide example core network architectures to validate mobility using 802.16e as a standalone solution and provide a template to validate 802.16e inter-working or integration support.	
Notice	This document has been prepared to assist IEEE 802.16. It is offered as a basis for discussion and is not binding on the contributing individual(s) or organization(s). The material in this document is subject to change in form and content after further study. The contributor(s) reserve(s) the right to add, amend or withdraw material contained herein.	
Release	The contributor grants a free, irrevocable license to the IEEE to incorporate material contained in this contribution, and any modifications thereof, in the creation of an IEEE Standards publication; to copyright in the IEEE's name any IEEE Standards publication even though it may include portions of this contribution; and at the IEEE's sole discretion to permit others to reproduce in whole or in part the resulting IEEE Standards publication. The contributor also acknowledges and accepts that this contribution may be made public by IEEE 802.16.	
Patent Policy and Procedures	The contributor is familiar with the IEEE 802.16 Patent Policy and Procedures < <a href="http://ieee802.org/16/ipr/patents/policy.html">http://ieee802.org/16/ipr/patents/policy.html</a> >, including the statement "IEEE standards may include the known use of patent(s), including patent applications, provided the IEEE receives assurance from the patent holder or applicant with respect to patents essential for compliance with both mandatory and optional portions of the standard." Early disclosure to the Working Group of patent information that might be relevant to the standard is essential to reduce the possibility for delays in the development process and increase the likelihood that the draft publication will be approved for publication. Please notify the Chair < <a href="mailto:chair@wirelessman.org">mailto:chair@wirelessman.org</a> > as early as possible, in written or electronic form, if patented technology (or technology under patent application) might be incorporated into a draft standard being developed within the IEEE 802.16 Working Group. The Chair will disclose this notification via the IEEE 802.16 web site < <a href="http://ieee802.org/16/ipr/patents/notices">http://ieee802.org/16/ipr/patents/notices</a> >.	

# Mobile Broadband Core Networks

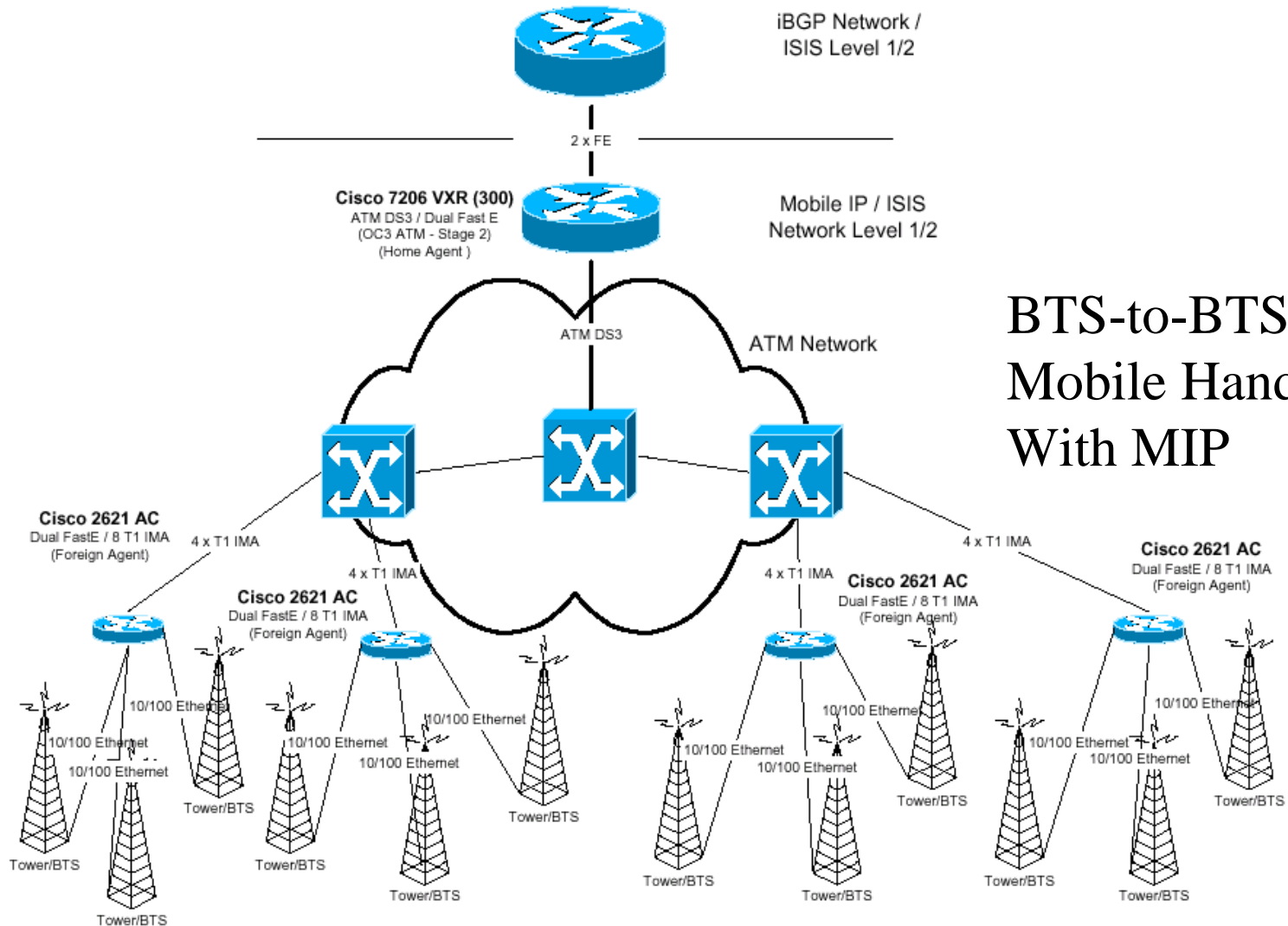
- Two Possible Network approaches
  - Green Field
    - TCP/IP based network
    - New designed based on broadband data requirements
    - Utilize off-the-shelf network support with existing standard based solutions.
    - Explore suitable network solutions with mobility performance support
    - Protocol agnostics network management support
  - Existing Mobile Networks
    - Converge at TCP/IP
    - Interface and inter-work with existing standards based solutions
    - Support common, Network Management, Authentication, Roaming techniques

# Green Field Mobile Core Examples

# Layer 2 Mobile Network



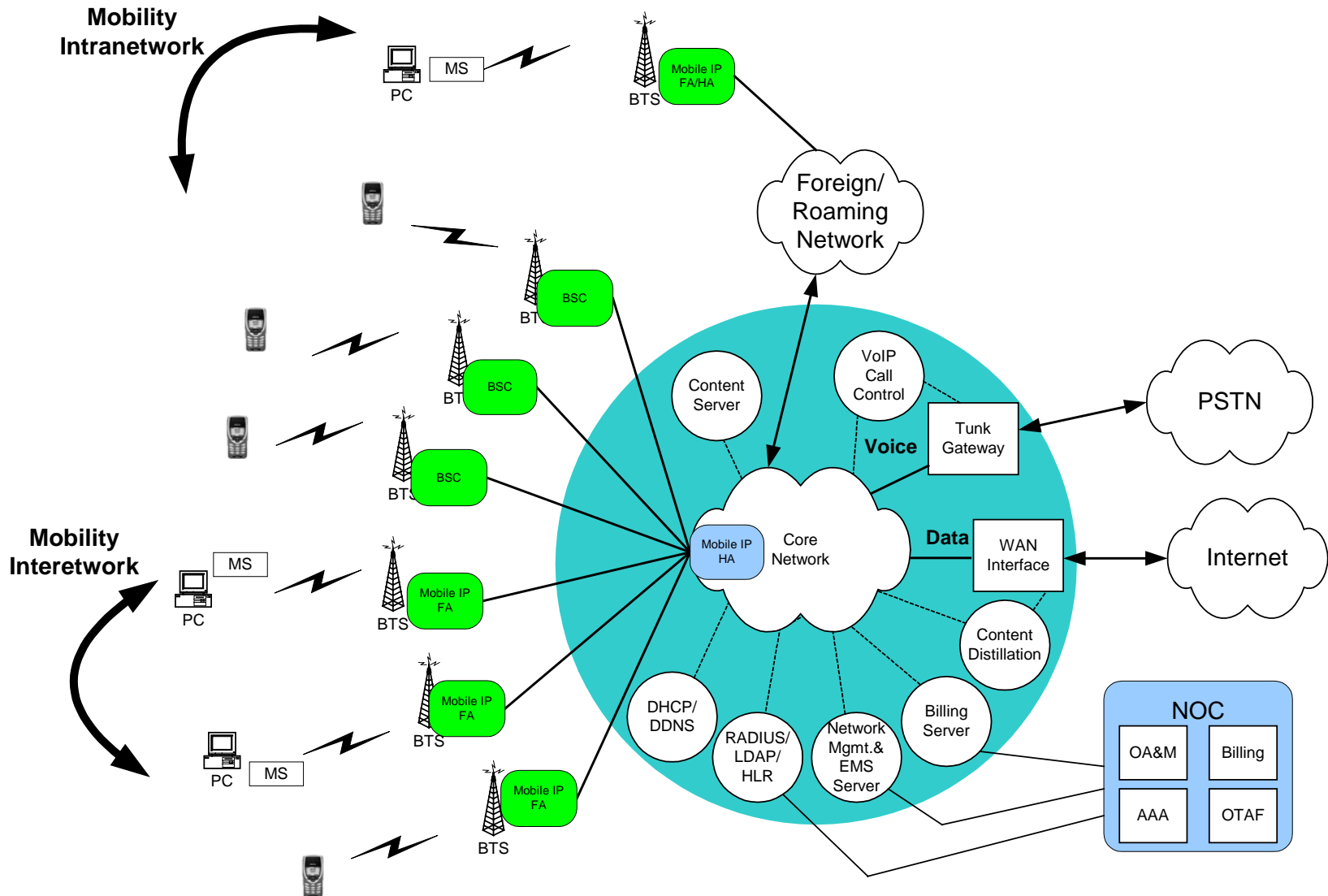
# Mobile IP Hierarchical



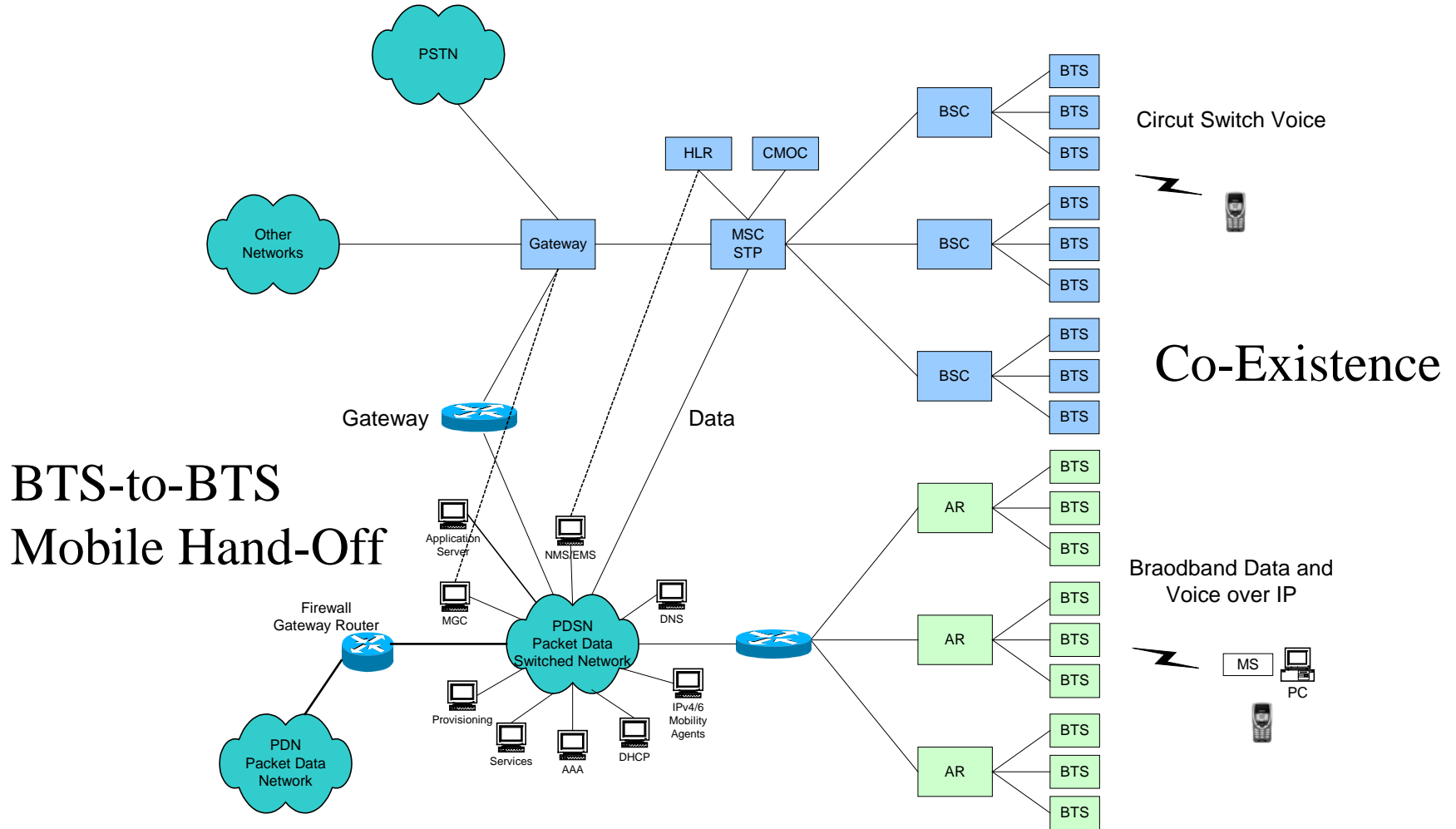
BTS-to-BTS  
Mobile Hand-Off  
With MIP

# Existing Mobile Network Core Examples

# High-Level Common Core Mobile Network

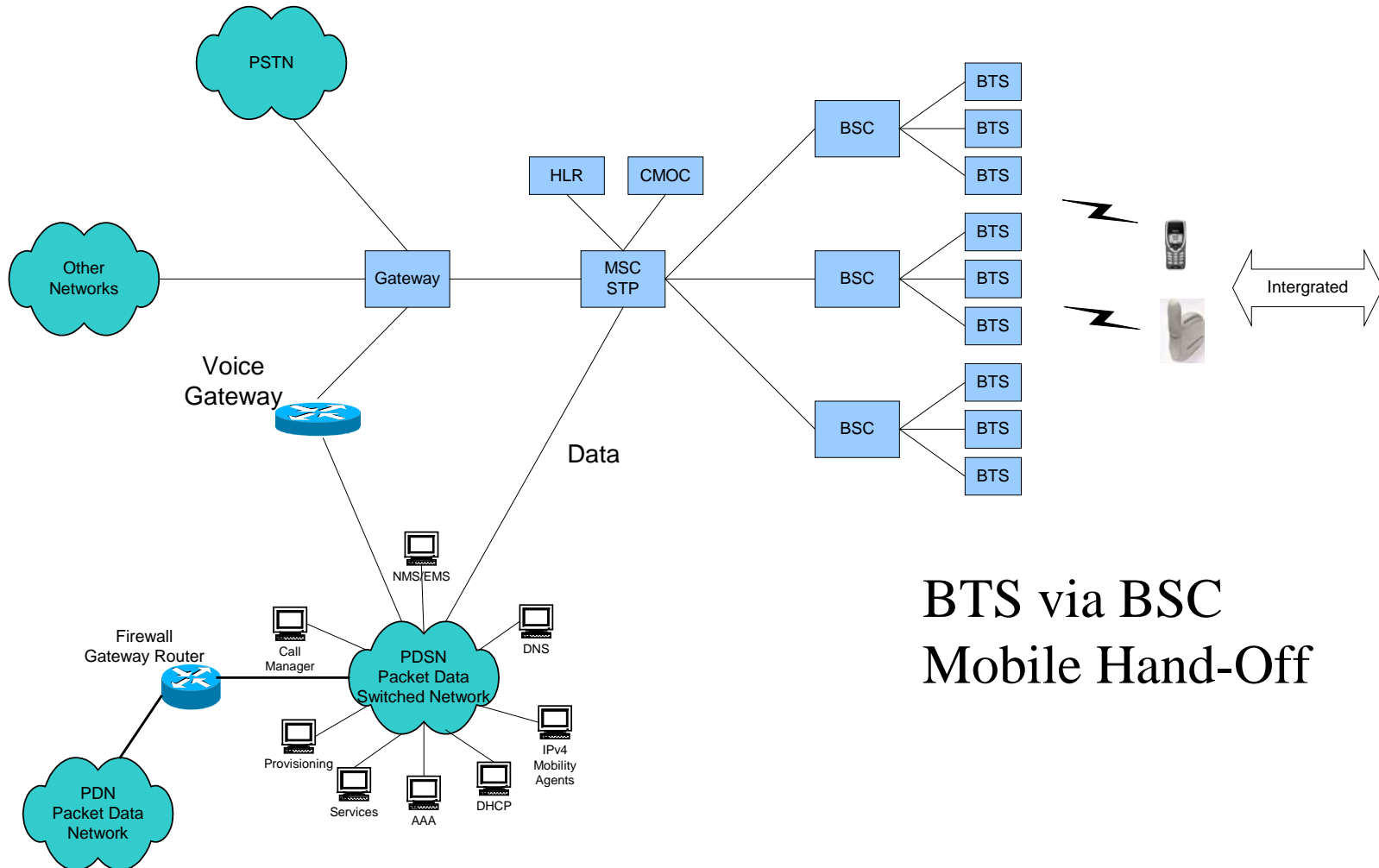


# Inter-Working Broadband with Cellular (Detailed)





# Broadband Full Integration into Cellular Network



BTS via BSC  
Mobile Hand-Off