

Project	IEEE 802.16 Broadband Wireless Access Working Group < http://ieee802.org/16 >
Title	For comment#1012: Adjusting figure 17c – GPCS Layering Model
Date Submitted	2006-05-10
Source(s)	Achim Brandt, Maximilian Riegel Siemens AG Achim.Brandt@siemens.com
Re:	Showing figure 17c explicitly, with the changes proposed in Comment #1012
Abstract	Adjusting figure 17c by removing the boxes representing the interfaces for the particular protocols labeled 'IPv4 over 802.16', 'IPv6 over 802.16', 'IEEE802.3/Ethernet over 802.16', '802.1Q/VLAN over 802.16'. - Rename 'Multiple protocols over 802.16' into 'Multiple protocols encapsulation'
Purpose	For approval as part of Comment #1012
Notice	This document has been prepared to assist IEEE 802.16. It is offered as a basis for discussion and is not binding on the contributing individual(s) or organization(s). The material in this document is subject to change in form and content after further study. The contributor(s) reserve(s) the right to add, amend or withdraw material contained herein.
Release	The contributor grants a free, irrevocable license to the IEEE to incorporate material contained in this contribution, and any modifications thereof, in the creation of an IEEE Standards publication; to copyright in the IEEE's name any IEEE Standards publication even though it may include portions of this contribution; and at the IEEE's sole discretion to permit others to reproduce in whole or in part the resulting IEEE Standards publication. The contributor also acknowledges and accepts that this contribution may be made public by IEEE 802.16.
Patent Policy and Procedures	The contributor is familiar with the IEEE 802.16 Patent Policy and Procedures < http://ieee802.org/16/ipr/patents/policy.html >, including the statement "IEEE standards may include the known use of patent(s), including patent applications, provided the IEEE receives assurance from the patent holder or applicant with respect to patents essential for compliance with both mandatory and optional portions of the standard." Early disclosure to the Working Group of patent information that might be relevant to the standard is essential to reduce the possibility for delays in the development process and increase the likelihood that the draft publication will be approved for publication. Please notify the Chair < mailto:chair@wirelessman.org > as early as possible, in written or electronic form, if patented technology (or technology under patent application) might be incorporated into a draft standard being developed within the IEEE 802.16 Working Group. The Chair will disclose this notification via the IEEE 802.16 web site < http://ieee802.org/16/ipr/patents/notices >.

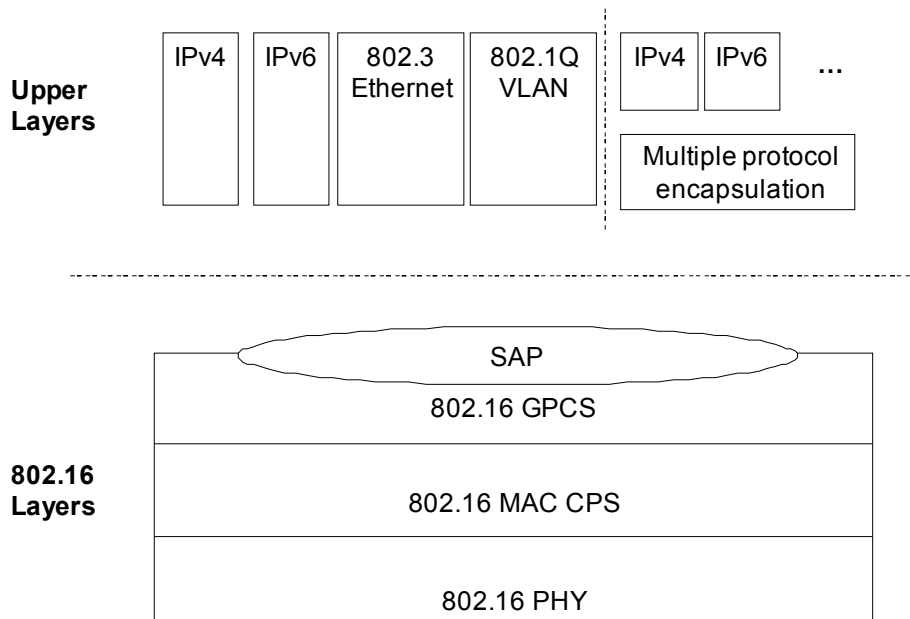
Introduction

Comment #1012 proposes this remedy:

- Adjust figure by removing the boxes representing the interfaces for the particular protocols labeled 'IPv4 over 802.16', 'IPv6 over 802.16', 'IEEE802.3/Ethernet over 802.16', '802.1Q/VLAN over 802.16'.
- Rename 'Multiple protocols over 802.16' into 'Multiple protocols encapsulation'

This contribution shows how **Figure 17c** will look like once this remedy is applied.

Corresponding Change to figure 17c in 802.16g/D2, page 10



Protocol structure with the Generic Packet Convergence Sublayer (GPCS)