

MS Initial Ranging with Transparent RS

IEEE 802.16 Presentation Submission Template (Rev. 8.3)

Document Number:

IEEE S802.16j-07/056r2

Date Submitted: 2007-01-16

Source:

Kanchei (Ken) Loa, Yung-Ting Lee, Yi-Hsueh Tsai,
Heng-Iang Hsu, Chih-Chiang Hsieh, Shiann-Tsong Sheu,
Frank C.D. Tsai, Youn-Tai Lee, Hua-Chiang Yin
Institute for Information Industry
8F., No. 218, Sec. 2, Dunhua S. Rd., Taipei City, Taiwan.

Voice: 886-2-2739-9616

Fax: 886-2-2378-2328

E-mail: loa@iii.org.tw

Hang Zhang, Peiyong Zhu, Mo-Han Fong, Wen Tong,
David Steer, Gamini Senarath, Derek Yu, Mark Naden, G.Q. Wang
Nortel
3500 Carling Avenue, Ottawa, Ontario K2H 8E9

Voice: +1 613 7631315

E-mail: WenTong@nortel.com, pyzhu@nortel.com

Yu Ge, Peng-Yong Kong, Chen-Khong Tham
21 Heng Mui Keng Terrace, Singapore 119613

E-mail: geyu@i2r.a-star.edu.sg

[add co-authors here]

Venue:

IEEE 802.16 Session #47, London, UK

Base Document:

IEEE C802.16j-07/056 http://dot16.org/CSUpload//upload/Relay_db/C80216j-07_056.pdf

Purpose:

Propose the text regarding MS Periodic Ranging with Transparent RS.

Notice:

This document has been prepared to assist IEEE 802.16. It is offered as a basis for discussion and is not binding on the contributing individual(s) or organization(s). The material in this document is subject to change in form and content after further study. The contributor(s) reserve(s) the right to add, amend or withdraw material contained herein.

Release:

The contributor grants a free, irrevocable license to the IEEE to incorporate material contained in this contribution, and any modifications thereof, in the creation of an IEEE Standards publication; to copyright in the IEEE's name any IEEE Standards publication even though it may include portions of this contribution; and at the IEEE's sole discretion to permit others to reproduce in whole or in part the resulting IEEE Standards publication. The contributor also acknowledges and accepts that this contribution may be made public by IEEE 802.16.

IEEE 802.16 Patent Policy:

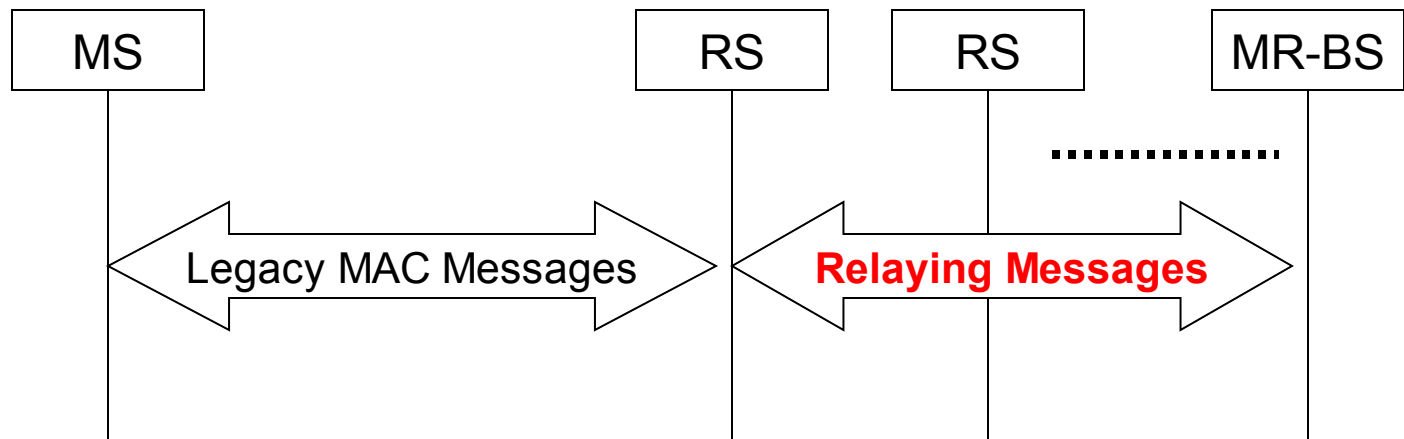
The contributor is familiar with the IEEE 802.16 Patent Policy and Procedures <<http://ieee802.org/16/ipr/patents/policy.html>>, including the statement "IEEE standards may include the known use of patent(s), including patent applications, provided the IEEE receives assurance from the patent holder or applicant with respect to patents essential for compliance with both mandatory and optional portions of the standard." Early disclosure to the Working Group of patent information that might be relevant to the standard is essential to reduce the possibility for delays in the development process and increase the likelihood that the draft publication will be approved for publication. Please notify the Chair <<mailto:chair@wirelessman.org>> as early as possible, in written or electronic form, if patented technology (or technology under patent application) might be incorporated into a draft standard being developed within the IEEE 802.16 Working Group. The Chair will disclose this notification via the IEEE 802.16 web site <<http://ieee802.org/16/ipr/patents/notices>>.

Requirements on MS Initial Ranging with Transparent RS

- The MS initial ranging procedure with transparent RS should be designed for centralized scheduling scheme
- There is no modification to legacy MS initial ranging procedure

Proposed Remedy

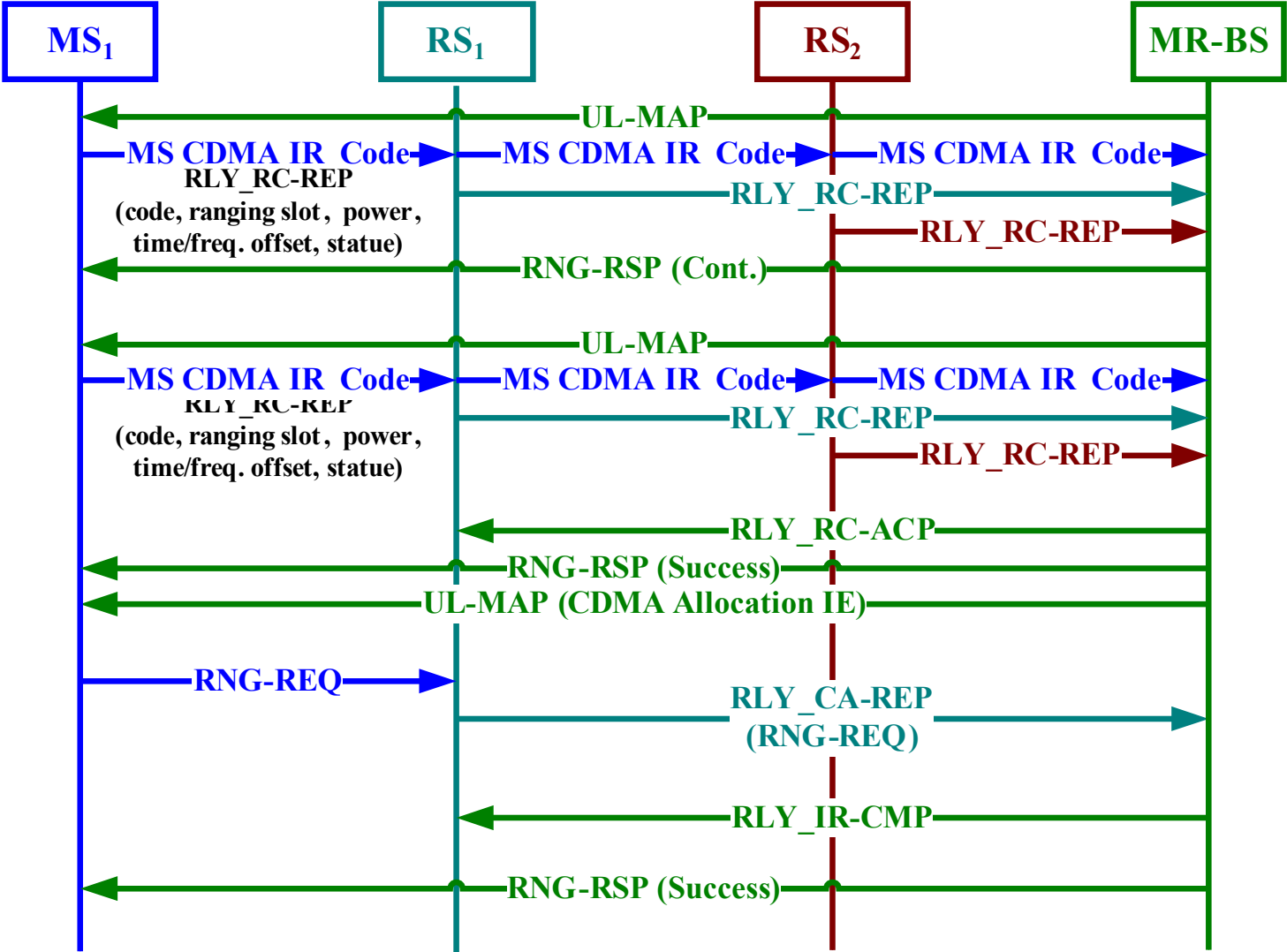
- Relaying messages are defined to transport the information in the relay path required for completing the MS initial ranging procedures



Proposed Relaying Messages

<u>Message name</u>	<u>Message description</u>	<u>Connection</u>
RLY_RC-REP	<u>RS transports MS CDMA initial ranging code, and associated measurements and adjustments to MR-BS</u>	<u>Basic</u>
RLY_RC-ACP	<u>MR-BS notifies RS to accept the new coming RS/MS CDMA initial ranging code</u>	<u>Basic</u>
RLY-CA_REP	<u>RS transports MS RNG-REQ and associated adjustments to MR-BS</u>	<u>Basic</u>
PLY-IR_CMP	<u>MR-BS notifies RS to relay the other messages such as SBC, PKM, and etc.,</u>	<u>Basic</u>

Example of MS Initial Ranging



Summary

- Propose procedure of MS initial ranging with transparent RS under centralized scheduling scheme
- Define relaying messages in the relay path for completing MS initial ranging procedure with transparent RS