

# The use of the 3.4-3.8 (4.2) GHz band for FWA

## IEEE 802.16 Presentation Submission Template (Rev. 8)

Document Number:

IEEE 802.16.3p-00/02

Date Submitted:

2000-07-06

Source:

Avi Freedman

InnoWave - ECI Telecom

4 Hashiloach St.

Petach-Tikva, Israel, 49104

Voice: +972-3-926 3669

Fax: +972-3-926 3636

E-mail: [afreed@ecitele.com](mailto:afreed@ecitele.com)

Venue:

IEEE 802.16 meeting, session #8, La Jolla, CA, USA

Base Document:

IEEE 802.16.3p-00/02 <[http://www.ieee802.org/16/sub11/contrib/802163c-00\\_02.pdf](http://www.ieee802.org/16/sub11/contrib/802163c-00_02.pdf)>

Purpose:

Information

Notice:

This document has been prepared to assist IEEE 802.16. It is offered as a basis for discussion and is not binding on the contributing individual(s) or organization(s). The material in this document is subject to change in form and content after further study. The contributor(s) reserve(s) the right to add, amend or withdraw material contained herein.

Release:

The contributor grants a free, irrevocable license to the IEEE to incorporate text contained in this contribution, and any modifications thereof, in the creation of an IEEE Standards publication; to copyright in the IEEE's name any IEEE Standards publication even though it may include portions of this contribution; and at the IEEE's sole discretion to permit others to reproduce in whole or in part the resulting IEEE Standards publication. The contributor also acknowledges and accepts that this contribution may be made public by IEEE 802.16.

IEEE 802.16 Patent Policy:

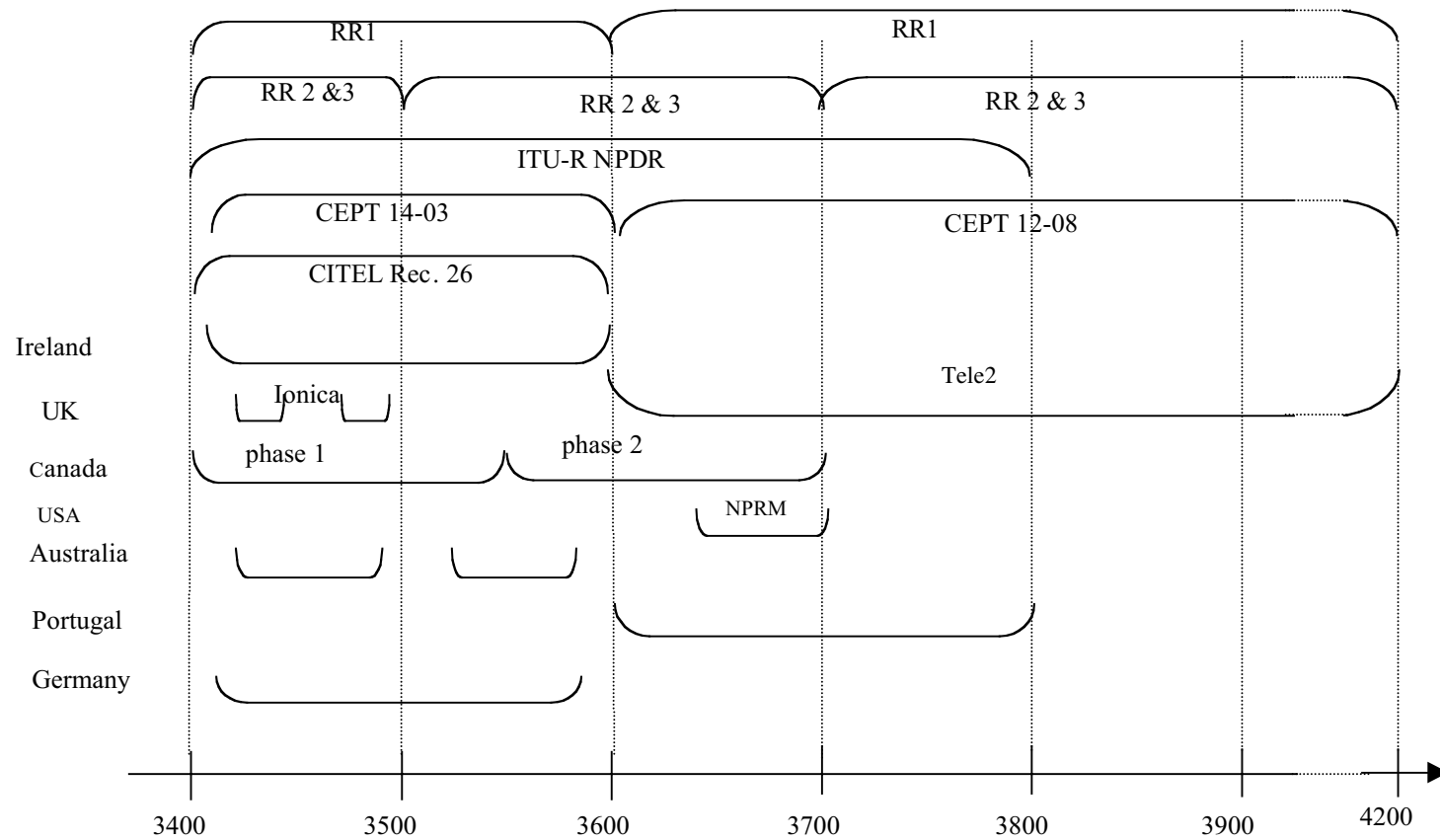
The contributor is familiar with the IEEE 802.16 Patent Policy and Procedures (Version 1.0) <<http://ieee802.org/16/ipr/patents/policy.html>>, including the statement "IEEE standards may include the known use of patent(s), including patent applications, if there is technical justification in the opinion of the standards-developing committee and provided the IEEE receives assurance from the patent holder that it will license applicants under reasonable terms and conditions for the purpose of implementing the standard."

Early disclosure to the Working Group of patent information that might be relevant to the standard is essential to reduce the possibility for delays in the development process and increase the likelihood that the draft publication will be approved for publication. Please notify the Chair <<mailto:r.b.marks@ieee.org>> as early as possible, in written or electronic form, of any patents (granted or under application) that may cover technology that is under consideration by or has been approved by IEEE 802.16. The Chair will disclose this notification via the IEEE 802.16 web site <<http://ieee802.org/16/ipr/patents/letters>>.

# **The use of the 3.4-3.8 (4.2) GHz band for FWA**

- Present some (incomplete, not necessarily accurate) information on the regulations in that band
- Stimulate other contributions in the subject
- Serve as a guide for determining channel bandwidths and other parameters

# Regulation and assigned bands



# Country Specific Information

- Australia
  - 3.5/4.5/5/7.5 MHz raster
- Canada
  - 3.4-3.55 GHz, rural
  - 3.55-3.7 GHz, future urban
  - 25MHz blocks
- Germany
  - 3410-3580 MHz
  - 14 MHz, <2 licenses/region
- France
  - 2 x 15 MHz - national basis
- Ireland
  - 3410-3600 MHz
  - 2 x25 + 2x10 MHz
  - 100MHz duplex
- Portugal
  - 3.6 -3.8 GHz
  - 28 MHz with 6 MHz guard
  - 100 MHz Duplex
- UK
  - “Ionica bands 3425-3442, 3475.688-3492.688 MHz
  - 3.8 - 4.2 GHz - Tele2
- USA
  - NPRM , 3650-3700 MHz
- South America
  - 3400 -3600 MHz
  - 25 MHz blocks