

Project	<b>IEEE 802.16 Broadband Wireless Access Working Group</b> < <a href="http://ieee802.org/16">http://ieee802.org/16</a> >	
Title	<b>Clarification of the OFDM DL Subchannelization Zone</b>	
Date Submitted	<b>2005-03-08</b>	
Source(s)	Fraser Cameron Wi-Lan Inc. 2891 Sunridge Way NE Calgary AB	Voice: (403) 204-7765 Fax: (403) 273-5100 <a href="mailto:fcameron@wi-lan.com">fcameron@wi-lan.com</a>
Re:	Sponsor Ballot Comment	
Abstract	This document proposes a clarification to the OFDM DL subchannelization zone	
Purpose	For consideration as a modification to D6 during Sponsor Ballot resolution.	
Notice	This document has been prepared to assist IEEE 802.16. It is offered as a basis for discussion and is not binding on the contributing individual(s) or organization(s). The material in this document is subject to change in form and content after further study. The contributor(s) reserve(s) the right to add, amend or withdraw material contained herein.	
Release	The contributor grants a free, irrevocable license to the IEEE to incorporate material contained in this contribution, and any modifications thereof, in the creation of an IEEE Standards publication; to copyright in the IEEE's name any IEEE Standards publication even though it may include portions of this contribution; and at the IEEE's sole discretion to permit others to reproduce in whole or in part the resulting IEEE Standards publication. The contributor also acknowledges and accepts that this contribution may be made public by IEEE 802.16.	
Patent Policy and Procedures	The contributor is familiar with the IEEE 802.16 Patent Policy and Procedures < <a href="http://ieee802.org/16/ipr/patents/policy.html">http://ieee802.org/16/ipr/patents/policy.html</a> >, including the statement "IEEE standards may include the known use of patent(s), including patent applications, provided the IEEE receives assurance from the patent holder or applicant with respect to patents essential for compliance with both mandatory and optional portions of the standard." Early disclosure to the Working Group of patent information that might be relevant to the standard is essential to reduce the possibility for delays in the development process and increase the likelihood that the draft publication will be approved for publication. Please notify the Chair < <a href="mailto:chair@wirelessman.org">mailto:chair@wirelessman.org</a> > as early as possible, in written or electronic form, if patented technology (or technology under patent application) might be incorporated into a draft standard being developed within the IEEE 802.16 Working Group. The Chair will disclose this notification via the IEEE 802.16 web site < <a href="http://ieee802.org/16/ipr/patents/notices">http://ieee802.org/16/ipr/patents/notices</a> >.	

## Clarification of the OFDM DL Subchannelization Zone

Fraser Cameron  
Wi-LAN Inc.

### Introduction

The purpose of this document is to remove any ambiguities related to the implementation of DL subchannelization in the 802.16e/D6 document.

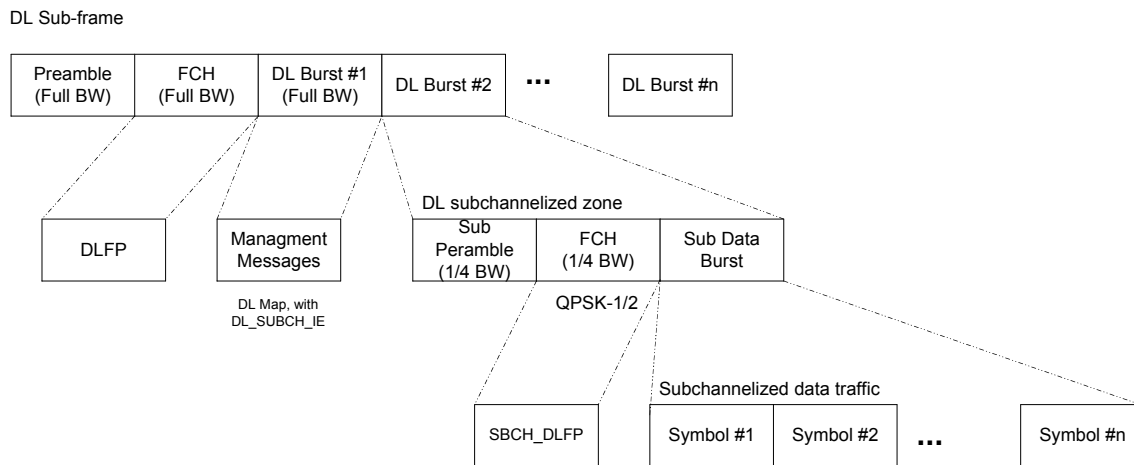
### Explanation of Problem

In section 8.3.5.1.1 of 802.16e/D6, the description of the DL subchannelization zone is not explicitly clear from the text how the structure of the subchannelized zone fits in with the DL sub-frame.

Figure 208a is also confusing, as it only shows the DL subchannelized portion of the sub frame and is not completely labeled. This looks similar to an OFDMA style of picture.

### Suggested Remedy

Replace figure 208a in section 8.3.5.1.1 with the following figure.



Also, remove editorial comments on line 29, page 215.