
Project	IEEE 802.16 Broadband Wireless Access Working Group < http://ieee802.org/16 >	
Title	Comments on the network architecture of SDD	
Date Submitted	2008-03-10	
Source(s)	<p>Kanchei (Ken) Loa, Yung-Ting Lee, Youn-Tai Lee, Hua-Chiang Yin, Yi-Hsueh Tsai, Chun-Yen Hsu, Tsung-Yu Tsai, Yi-Ting Lin, Chih-Wei Su, Shiann-Tsong Sheu, Yih Guang Jan, Yang-Han Lee, Ming-Hsueh Chuang, Hsien-Wei Tseng</p> <p>Institute for Information Industry 7F, No. 133, Sec. 4, Minsheng E. Rd., Taipei City 105, Taiwan</p>	<p>Voice: +886-2-66000100 E-mail: loa@iii.org.tw</p> <p>*<http://standards.ieee.org/faqs/affiliationFAQ.html></p>
Re:	IEEE 802.16m-08/005- Call for Contributions on Project 802.16m System Description Document (SDD) Topic: Comments on IEEE 802.16m-08/003	
Abstract	This contribution proposes modifications to 16m network architecture to provide legacy support and enable the multihop relay.	
Purpose	For discussion and approval by IEEE 802.16 Working Group	
Notice	<i>This document does not represent the agreed views of the IEEE 802.16 Working Group or any of its subgroups. It represents only the views of the participants listed in the "Source(s)" field above. It is offered as a basis for discussion. It is not binding on the contributor(s), who reserve(s) the right to add, amend or withdraw material contained herein.</i>	
Release	The contributor grants a free, irrevocable license to the IEEE to incorporate material contained in this contribution, and any modifications thereof, in the creation of an IEEE Standards publication; to copyright in the IEEE's name any IEEE Standards publication even though it may include portions of this contribution; and at the IEEE's sole discretion to permit others to reproduce in whole or in part the resulting IEEE Standards publication. The contributor also acknowledges and accepts that this contribution may be made public by IEEE 802.16.	
Patent Policy	The contributor is familiar with the IEEE-SA Patent Policy and Procedures: < http://standards.ieee.org/guides/bylaws/sect6-7.html#6 > and < http://standards.ieee.org/guides/opman/sect6.html#6.3 >. Further information is located at < http://standards.ieee.org/board/pat/pat-material.html > and < http://standards.ieee.org/board/pat >.	

Comments on the network architecture of SDD

Kanchei (Ken) Loa, Yung-Ting Lee, Youn-Tai Lee, Hua-Chiang Yin, Yi-Hsueh Tsai, Chun-Yen Hsu, Tsung-Yu Tsai, Yi-Ting Lin, Chih-Wei Su, Shiann-Tsong Sheu, Yih Guang Jan, Yang-Han Lee, Ming-Hsueh Chuang, Hsien-Wei Tseng
Institute for Information Industry (III)

Introduction

Based on the IEEE 802.16m system requirement (IEEE 802.16m-07/002r4), the IEEE 802.16m should provide mechanisms to enable multihop relays (Line 11, Page 20). In addition, IEEE 802.16m shall provide continuing support and interoperability for legacy WirelessMAN-OFDMA equipment, including MSs and BSs when including the 16m multihop relays.

This contribution proposes modifications to 16m network architecture to provide legacy support and enable the multihop relay. In order to facilitate the incorporation of this proposal into SDD, specific changes to SDD are listed below.

Specification Changes

[Modify Figure 2 in Line 22, Page 7 as follows:]

4 Overall Network Architecture

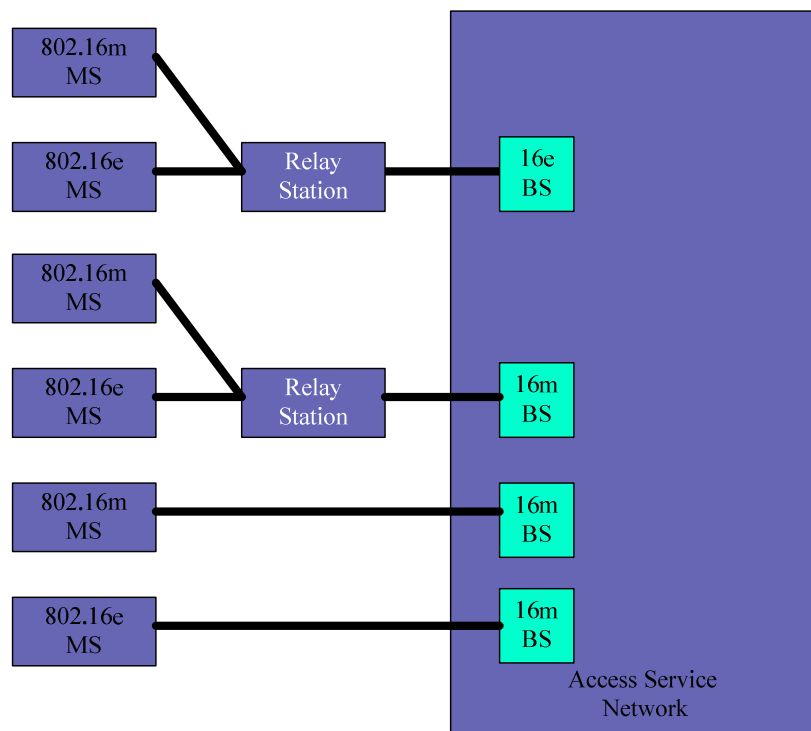


Figure 2 The Relay Station in overall network architecture