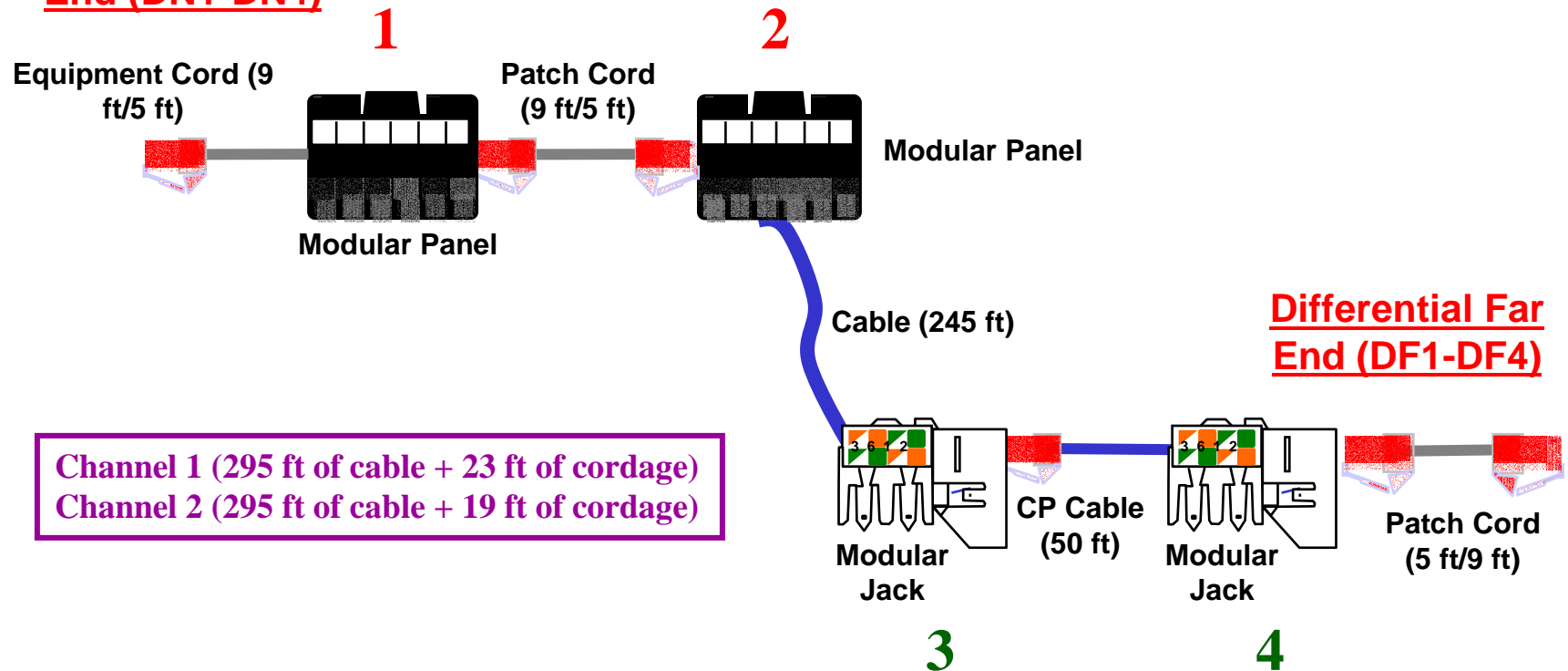


# Category 6 Channel Configuration

## Differential Near End (DN1-DN4)



- 4-Connector Channel
- Measured out to 500MHz
- Differential to Differential Measurement (D\_\_>D\_\_)
- Real and Imaginary
- Data is below Cat 6 limits and would need to be scaled to the limits