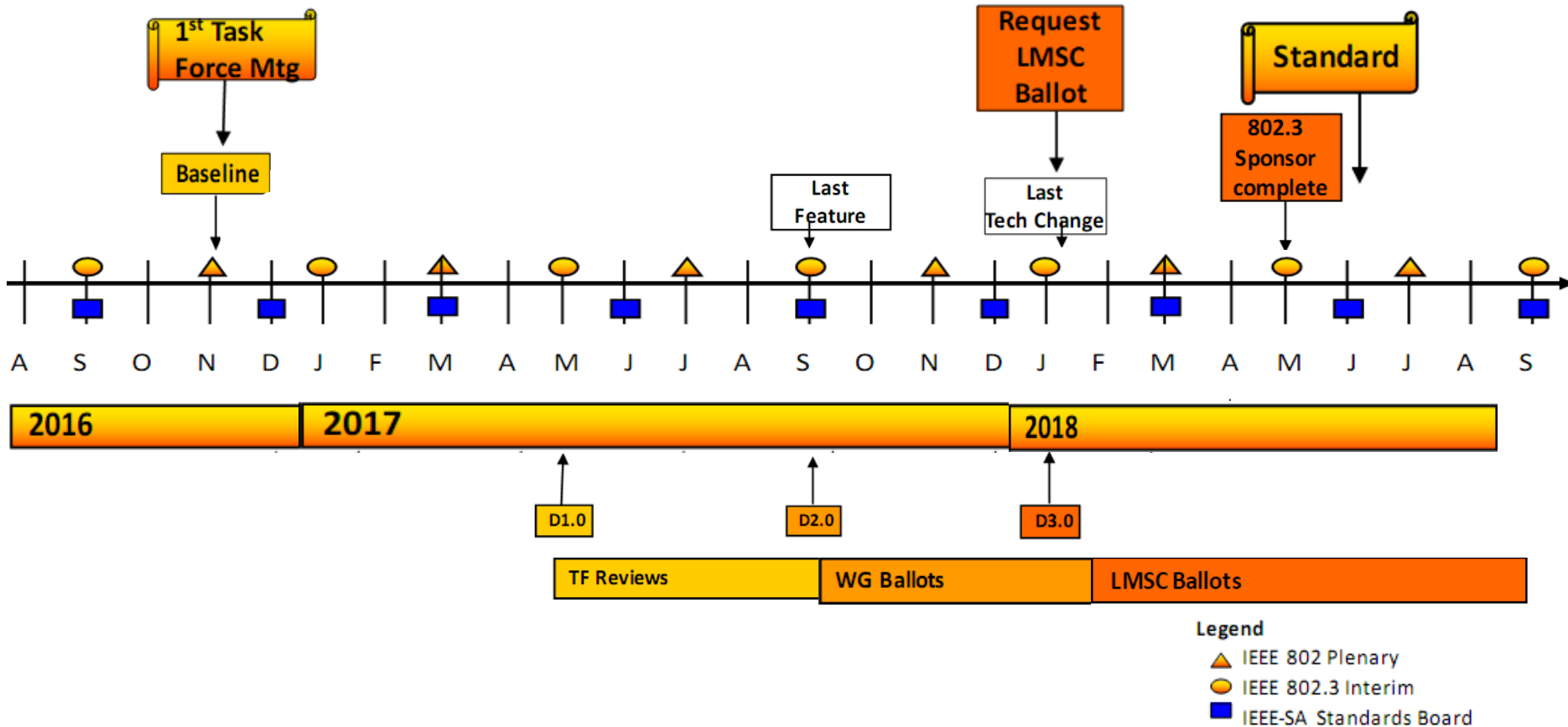


IEEE P802.3.2(.3cf) Task Force Draft Timeline



Draft proposal