



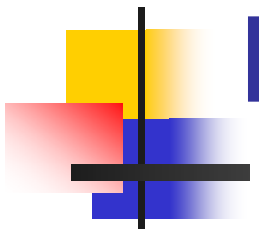
# WC Pkg Models

---

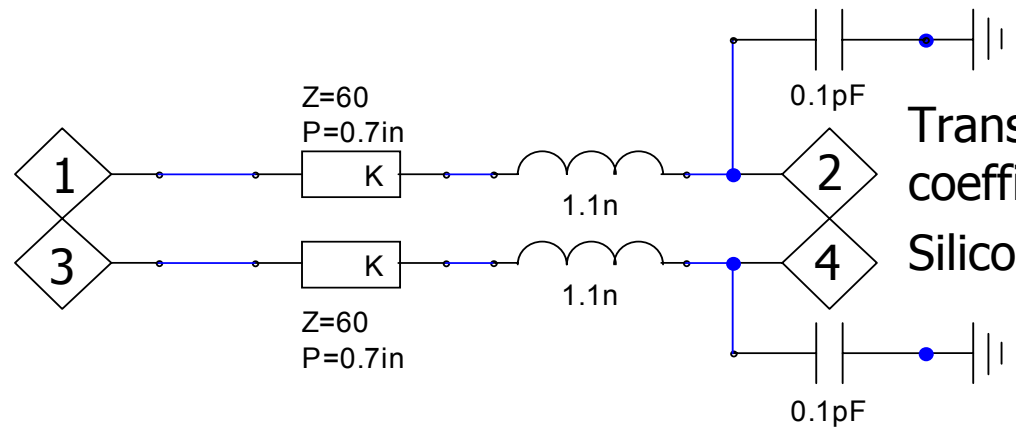
12-17-2004

Richard Mellitz

# PKG models -10 dB @ 5GHz

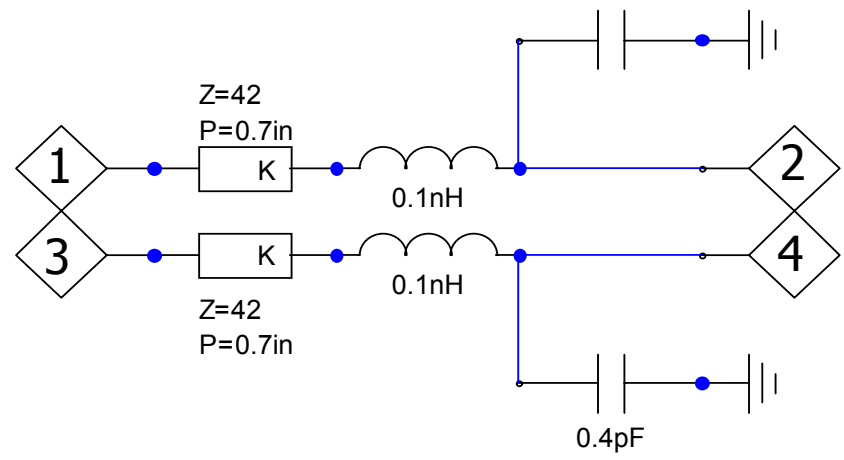


Pin side  
(PWB)



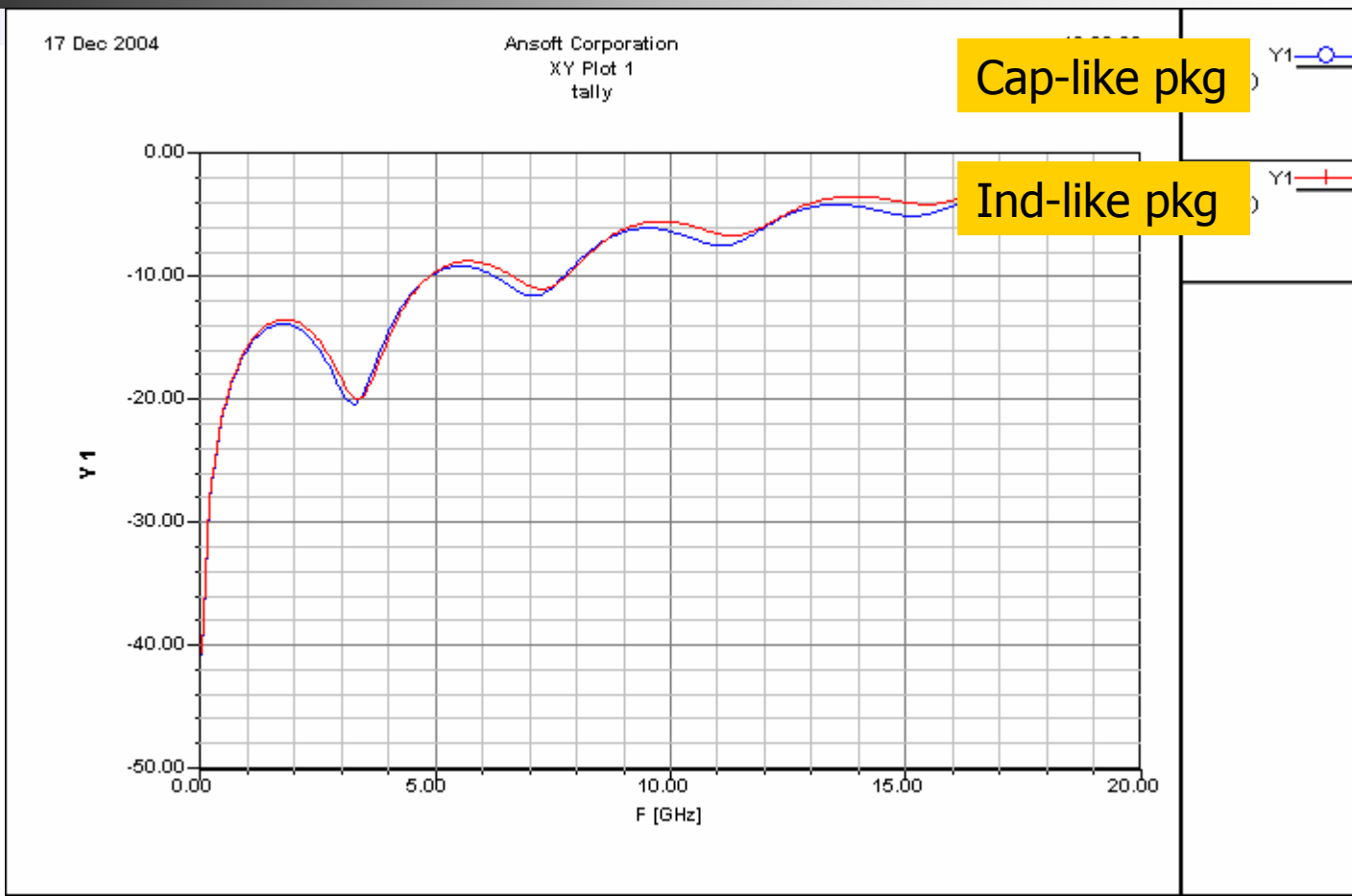
Cap-like pkg

Pin side  
(PWB)

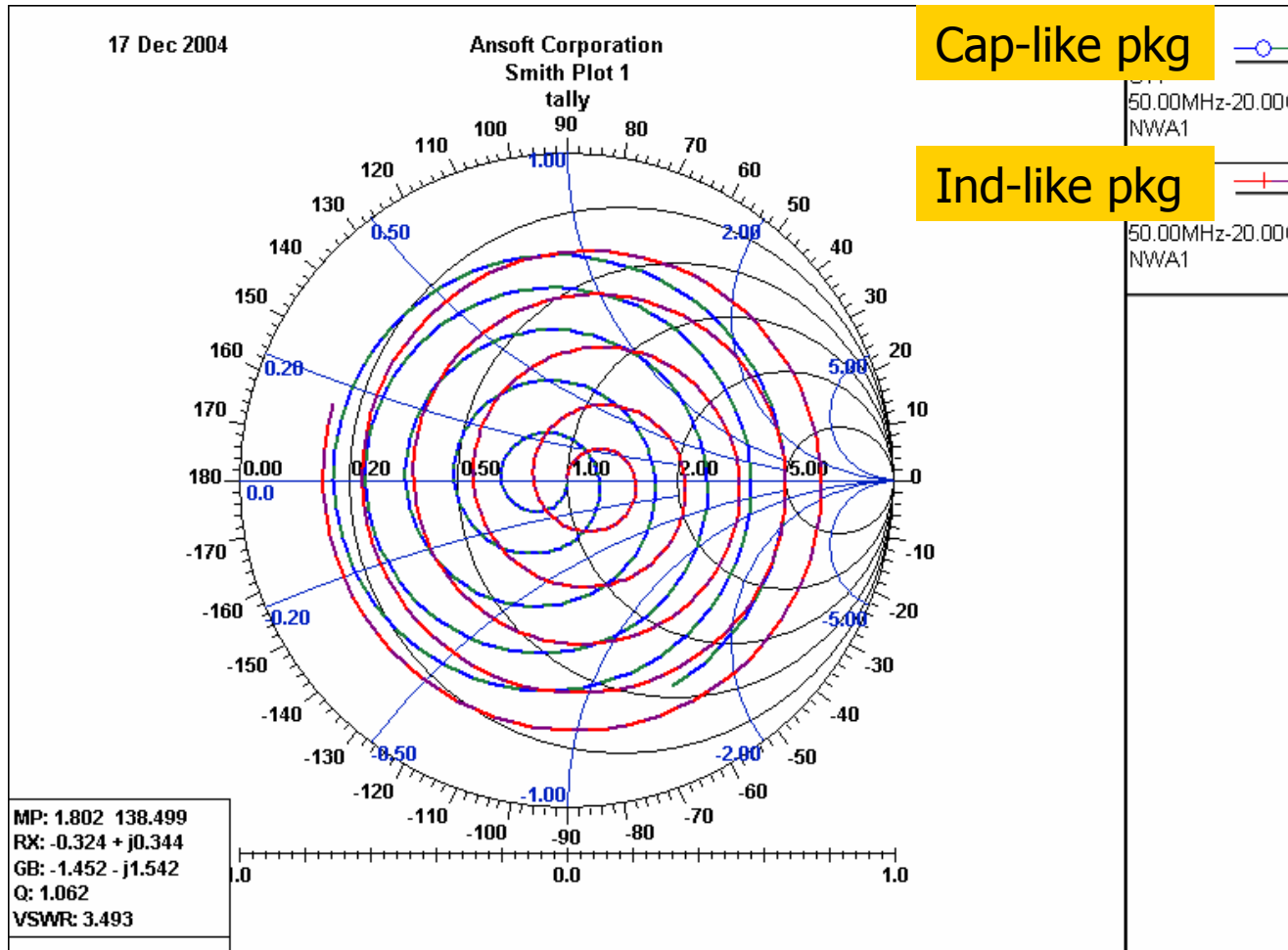


Ind-like pkg

# RL for two pkgs



# Smith Chart for two pkgs



# Transmission coefficient for 2 pkgs

