

IEC / IEEE 60802 - IA profile

IEEE802.1Q identified gaps –

Rules for gates control vs. inter packet gap

Update to cover entry 0224
in the 802.1 maintenance
database
IPG+Preamble+SFD need
to be covered by the Guard
Band

-To be discussed-

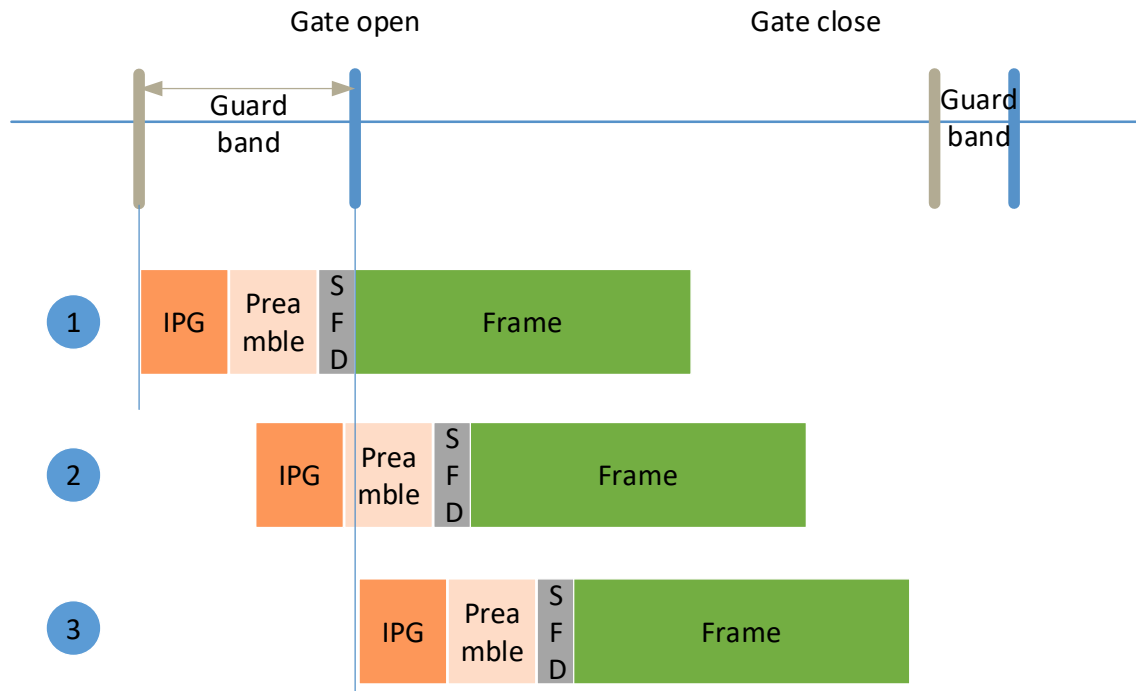
Prepared by
Günter Steindl
(Siemens AG)

Basic scope

IEEE 802.1Q introduces time aware shaper and thus gate control.

Calculating the bandwidth available inside / outside a gated network access needs clear statements.

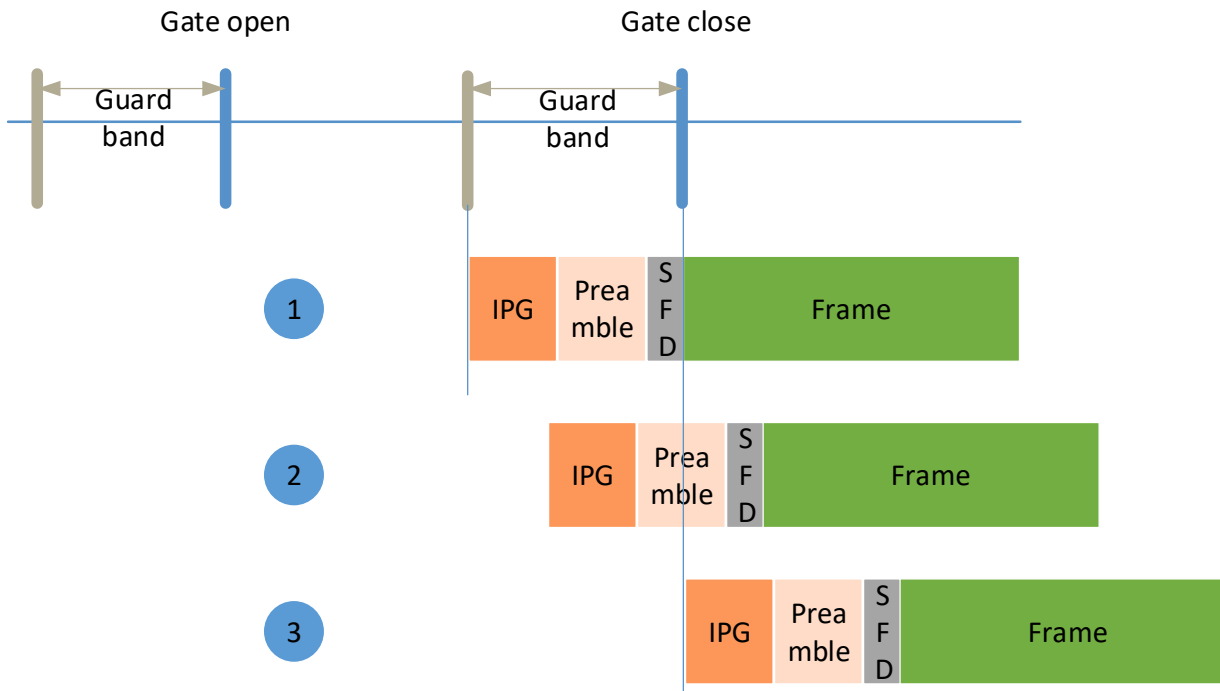
Gate open - Inter packet gap is where?



Bandwidth rule: Assume (3)

Forwarding: (1) to (3) everything possible

Gate close - Inter packet gap is where?



Bandwidth rule: Assume (3)

Forwarding: (1) to (3)

Conclusion

A clear definition for both gates is needed.

If not already stated inside IEEE802.1Q, a definition is needed.

See entry 0224 in the 802.1 maintenance database for clarification.

Thank you

Questions?