

Project	IEEE 802.16 Broadband Wireless Access Working Group < http://ieee802.org/16 >	
Title	MAC Messages supporting the CSI	
Date Submitted	2006-11-12	
Source(s)	Wu Xuyong, Huawei Huawei Industrial Base, Bantian, Longgang, Shenzhen 518129 P.R.C	Voice: +86-755-28972327 Fax: wuxuyong@huawei.com
Re:	80216h-06_059: IEEE 802.16 Working Group Working Group Letter Ballot #24 (2006-10-11)	
Abstract	Discuss the MAC messages supporting the CSI, such as DCD, DL-MAP etc.	
Purpose	To consolidate the working document.	
Notice	This document has been prepared to assist IEEE 802.16. It is offered as a basis for discussion and is not binding on the contributing individual(s) or organization(s). The material in this document is subject to change in form and content after further study. The contributor(s) reserve(s) the right to add, amend or withdraw material contained herein.	
Release	The contributor grants a free, irrevocable license to the IEEE to incorporate material contained in this contribution, and any modifications thereof, in the creation of an IEEE Standards publication; to copyright in the IEEE's name any IEEE Standards publication even though it may include portions of this contribution; and at the IEEE's sole discretion to permit others to reproduce in whole or in part the resulting IEEE Standards publication. The contributor also acknowledges and accepts that this contribution may be made public by IEEE 802.16.	
Patent Policy and Procedures	The contributor is familiar with the IEEE 802.16 Patent Policy and Procedures < http://ieee802.org/16/ipr/patents/policy.html >, including the statement "IEEE standards may include the known use of patent(s), including patent applications, provided the IEEE receives assurance from the patent holder or applicant with respect to patents essential for compliance with both mandatory and optional portions of the standard." Early disclosure to the Working Group of patent information that might be relevant to the standard is essential to reduce the possibility for delays in the development process and increase the likelihood that the draft publication will be approved for publication. Please notify the Chair < mailto:chair@wirelessman.org > as early as possible, in written or electronic form, if patented technology (or technology under patent application) might be incorporated into a draft standard being developed within the IEEE 802.16 Working Group. The Chair will disclose this notification via the IEEE 802.16 web site < http://ieee802.org/16/ipr/patents/notices >.	

MAC Messages supporting the CSI

Wu Xuyong

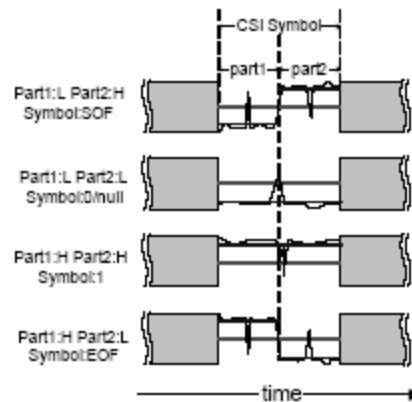
Huawei

Overview

There is a lot of description in the CSI usage, but we have no MAC Message for implementing such structure. Some basic MAC Message should be defined:

- 1) For example, the *CX interference criteria* should be defined for the verdict for the decodable energy pulse symbol, which means the least difference in average power between high and low level to be decoded, which means the difference energy strength between [N] and [I+N] according to the specific interference source.

This parameter is the same as the criteria of harmful interference in the system.



- 2) Another general message is the DIUCs for the CSI-IE in the DL-MAP. SS should be aware of the timing and related parameter of CSI by such IE within the DL-MAP.
- 3) Specific MAC messages is needed in each related mechanism, these messages should be complemented to make the mechanism work.

PLS see detail in the proposal changes below.

Reference:

- [1] *IEEE 802.16h-06/082: Using energy pulses for interference identification between 802.16 systems.* (2006-08-08)
- [2] *IEEE P802.16h/D1: Working Document for P802.16h* (2006-08-01)
- [3] *80216h-06_059: IEEE 802.16 Working Group Working Group Letter Ballot #24* (2006-10-11)
- [4] *IEEE C802.16-05/012: IEEE 802.16-2004 and IEEE 802.16e RF Characteristics* (2005-04-29)

- [5] *IEEE 802.16-2004: IEEE Standard for Local and metropolitan area networks Part 16: Air Interface for Fixed Broadband Wireless Access Systems (2004-10-01)*
- [6] *IEEE 802.16e-2005: IEEE Standard for Local and metropolitan area networks Part 16: Air Interface for Fixed and Mobile Broadband Wireless Access Systems Amendment 2: Physical and Medium Access Control Layers for Combined Fixed and Mobile Operation in Licensed Bands and Corrigendum 1 (2006-02-28)*
- [7] *ITU-R REC F.758 CONSIDERATIONS IN THE DEVELOPMENT OF CRITERIA FOR SHARING BETWEEN THE TERRESTRIAL FIXED SERVICE AND OTHER SERVICES (1992-1997-2000)*
- [8] *Calculating the Sensitivity of an ASK Receiver (2003-11-05)*
- [9] *IEEE C802.16h-06/054 Discussion on implementing the energy pulse (2006-07-10)*

Proposed Changes:

11.4.1 DCD channel encodings

Insert the following entries into Table 358:

Name	Type (1 byte)	Length	Value (variable length)	PHY scope
CX interference criteria	61	1	Minimum interference-plus-noise increasing ratio by the harmful interference (in unit of half dB) (default value 2, for 1 dB)	All

Insert a new section as 8.2.1.9.2.8:

8.2.1.9.2.8 SCa extended CSI_IE

In the DL-MAP a WirelessMAN-CX BS (see 15.) may transmit an extended IE with a DUIC value of 0x06 to indicate that subsequent allocations for CSI. (See 15.1.4.1.1, 15.3.1.1.1) The extended IE conforms to the structure in Table 200a.

Table 200a--SCa CSI IE format

Syntax	Size	Notes
CSI_IE() {		
Extended DIUC	4 bits	CSI = 0x06
Length	4 bits	Length = 0x02
CSI Cycle	4 bits	indicating the number of frames (Nth power of 2) for the CSI Cycle (default 0x04)
Offset Frames	4 bits	the frame number offset for each CSI allocated (4 CSI cycles forms a ICSI cycle, 4 ICSI cycle forms a OCSI cycle)
OCSN	4 bits	indicating the OCSI allocation of this system 0,4,8,12-reserved for ICSI 1,2,3,5,6,7,9,10,11,13,14 identified a OCSI channel each. 15 reserved for noise floor measurement
Symbol Length	8 bits	(in units of PSs)
RCG Length	8 bits	(in units of PSs)
CTG Length	8 bits	(in units of PSs)
}		

8.3.6.2.8 DL-MAP dummy IE format

Change Table 244 as indicated:

Table 244—OFDM DL-MAP dummy IE format

Syntax	Size	Notes
CSI_IE() {		
Extended DIUC	4 bits	0x06 0x07...0x0F
Length	4 bits	0..15
Unspecified data	variable	The "Length" field specifies the size of this field in bytes.
}		

Insert a new section as 8.3.6.2.10:

8.3.6.2.10 OFDM CSI_IE format

In the DL-MAP a WirelessMAN-CX BS (see 15.) may transmit an extended IE with a DUIC value of 0x06 to indicate that subsequent allocations for CSI. (See 15.1.4.1.1, 15.3.1.1.1) The extended IE conforms to the structure in Table 244b.

Table 244b--OFDM CSI IE format

Syntax	Size	Notes
CSI_IE() {		
Extended DIUC	4 bits	CSI = 0x06
Length	4 bits	Length = 0x02
CSI Cycle	4 bits	indicating the number of frames (Nth power of 2) for the CSI Cycle (default 0x04)
Offset Frames	4 bits	the frame number offset for each CSI allocated (4 CSI cycles forms a ICSI cycle, 4 ICSI cycle forms a OCSI cycle)
OCSN	4 bits	indicating the OCSI allocation of this system 0,4,8,12-reserved for ICSI 1,2,3,5,6,7,9,10,11,13,14 identified a OCSI channel each. 15 reserved for noise floor measurement
Symbol Length	4 bits	(in units of in units of symbol duration)
RCG Length	4 bits	(in units of in units of symbol duration)
CTG Length	4 bits	(in units of in units of symbol duration)
}		

Insert a new section as 8.4.5.3.30:

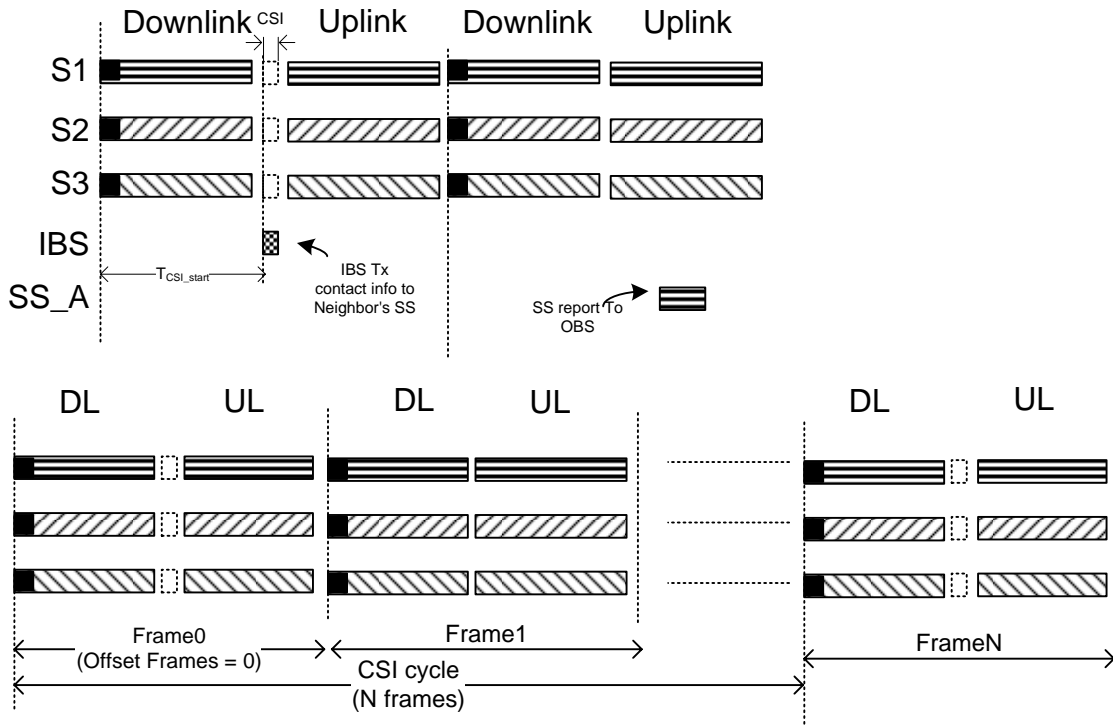
8.4.5.3.30 OFDMA CSI_IE Allocation

In the DL-MAP a WirelessMAN-CX BS (see 15.) may transmit an extended-2 IE with a DUIC value of 0x0F to indicate that subsequent allocations for CSI. (See 15.1.4.1.1, 15.3.1.1.1) The extended IE conforms to the structure in Table 286ac

Table 286ac—OFDMA CSI IE format

Syntax	Size	Notes
CSI_IE() {		
Extended-2 DIUC	4 bits	CSI = 0x0F
Length	4 bits	Length = 0x02
CSI Cycle	4 bits	indicating the number of frames (Nth power of 2) for the CSI Cycle (default 0x04)
Offset Frames	4 bits	the frame number offset for each CSI allocated (4 CSI cycles forms a ICSI cycle, 4 ICSI cycle forms a OCSI cycle)
OCSN	4 bits	indicating the OCSI allocation of this system 0,4,8,12-reserved for ICSI 1,2,3,5,6,7,9,10,11,13,14 identified a OCSI channel each. 15 reserved for noise floor measurement
Symbol Length	4 bits	(in units of in units of symbol duration)
RCG Length	4 bits	(in units of in units of symbol duration)
CTG Length	4 bits	(in units of in units of symbol duration)
}		

Proposed changes on figure-h14 and h15



Proposed changes on figure-h29 and h30

