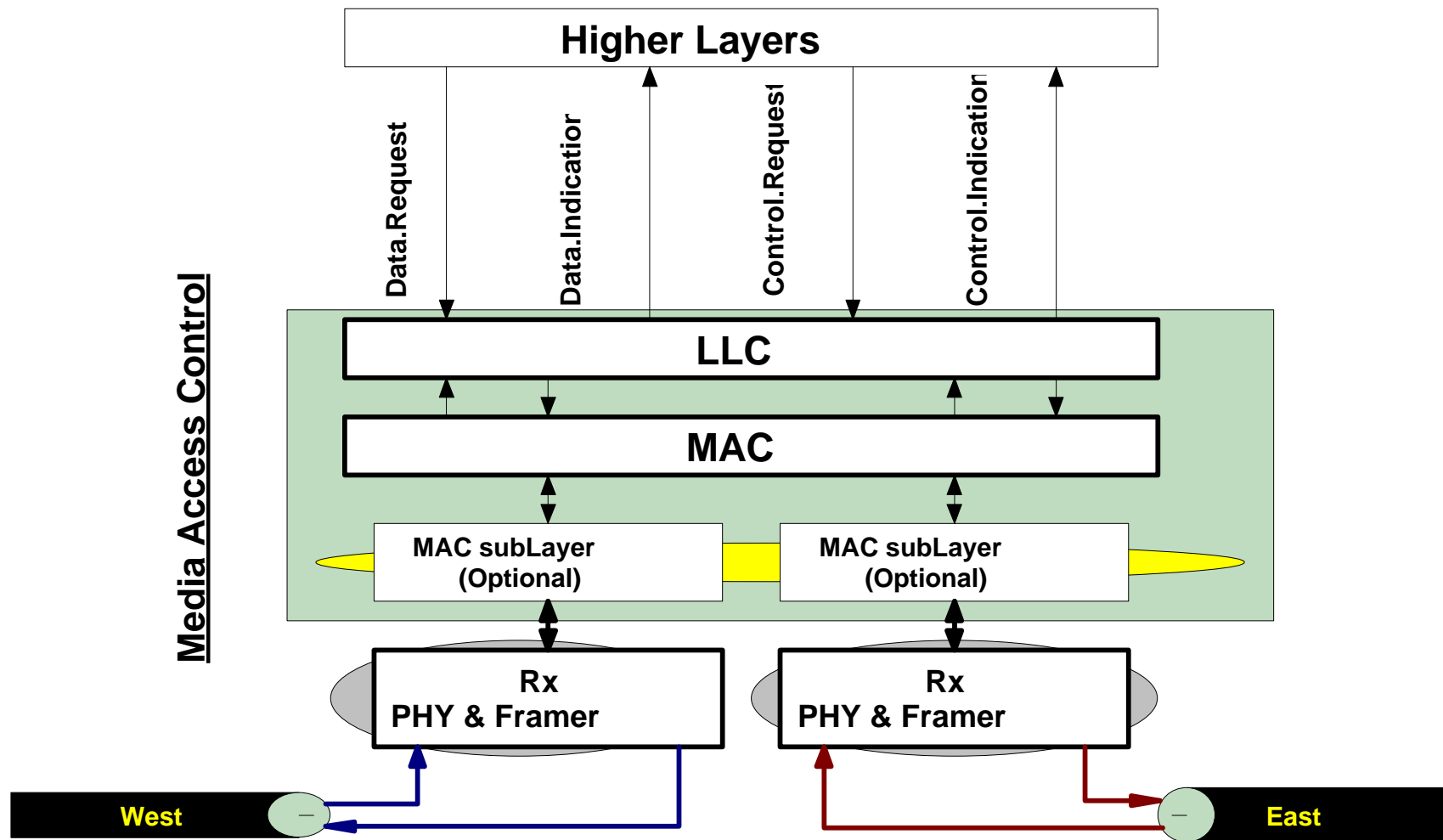
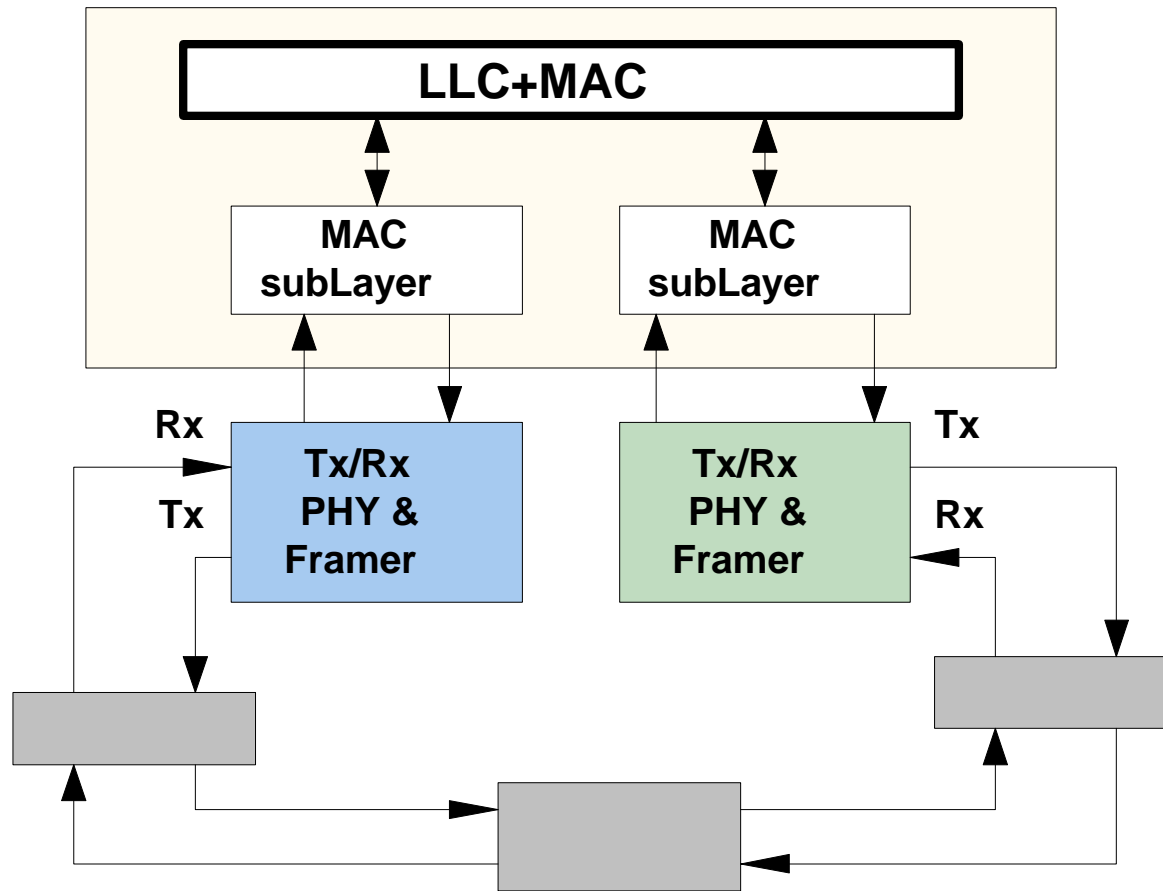


MAC Reference Model for Port Management

Pankaj K Jha
Cypress Semiconductor
pkj@cypress.com

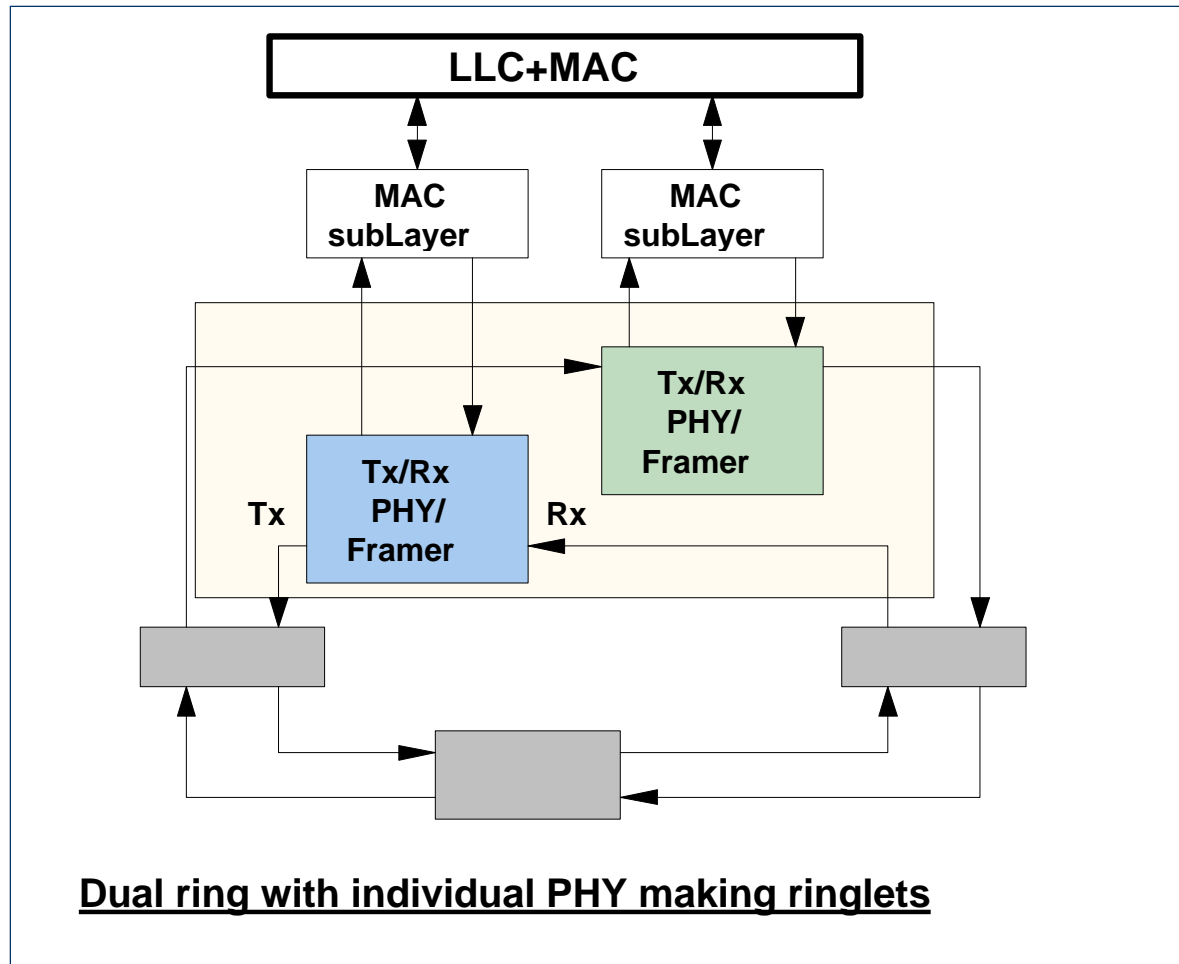


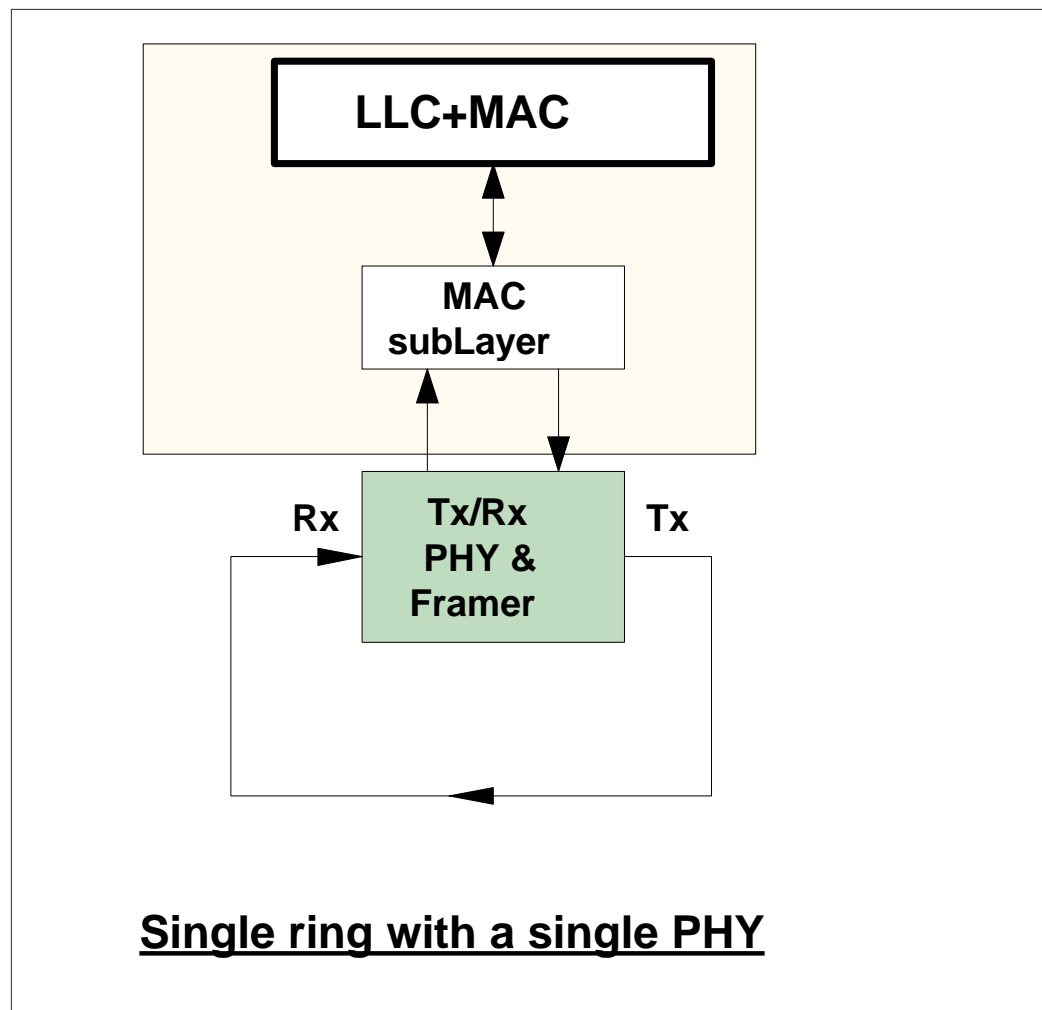
Dual Ring with two PHYs per Ring



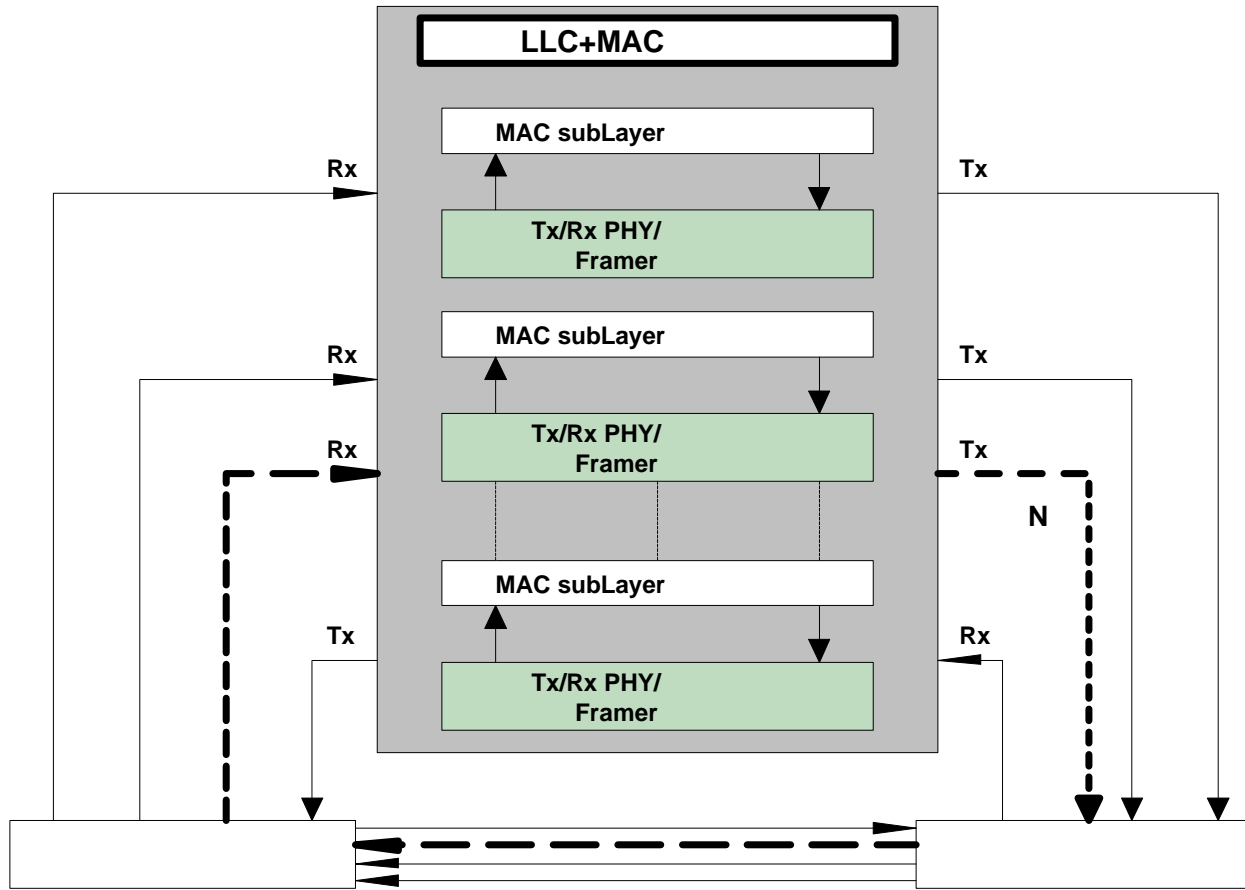
Dual ring with two PHY making dual ring

Dual Ring with one PHY per Ring





N+1 Ring Configuration



N+1 Configuration