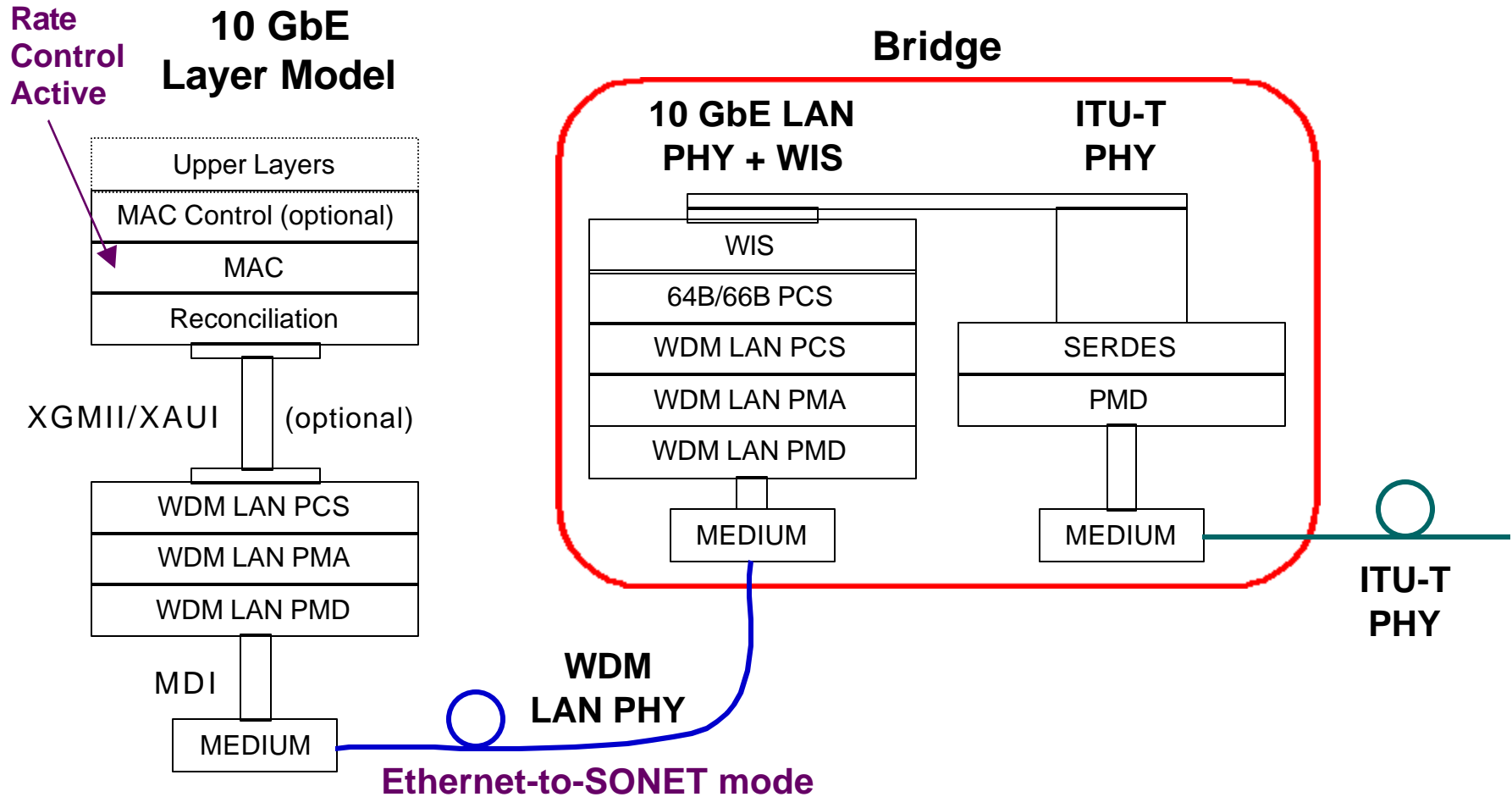
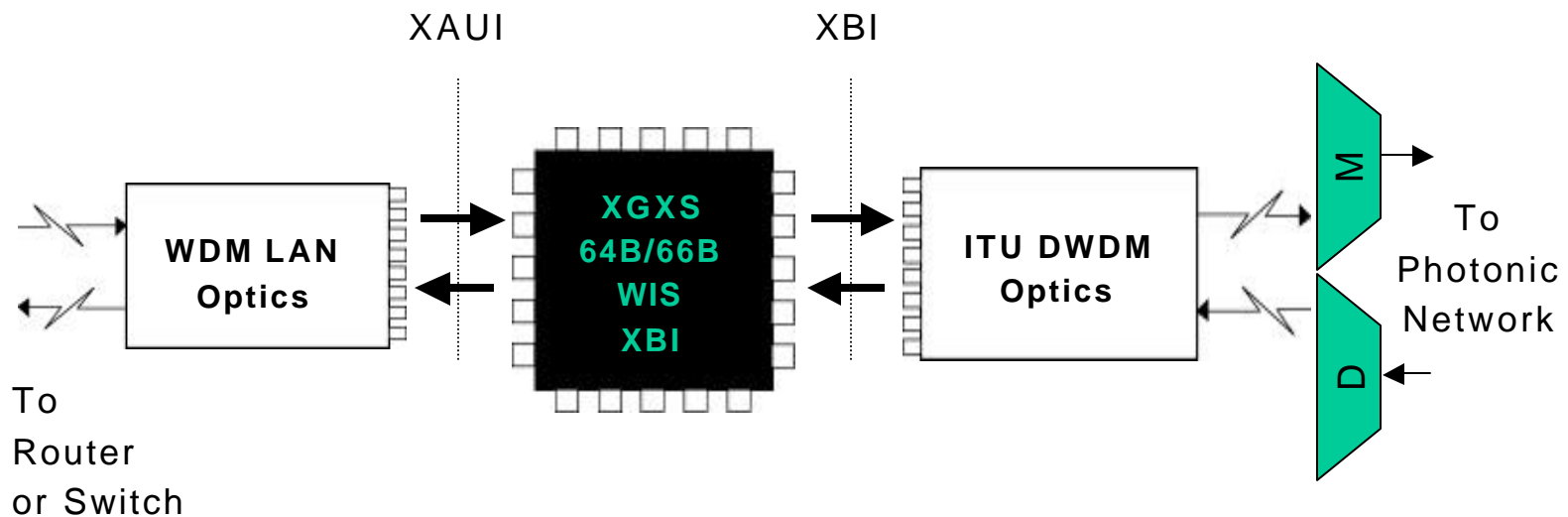


WDM LAN → WAN via Layer 1 Bridge



WDM → DWDM Transponder Example Implementation



XAUI/XGXS: http://grouper.ieee.org/groups/802/3/ae/public/may00/taborek_2_0500.pdf

WIS: http://grouper.ieee.org/groups/802/3/ae/public/may00/bottorff_1_0500.pdf

XBI: http://grouper.ieee.org/groups/802/3/ae/public/may00/robinson_1_0500.pdf