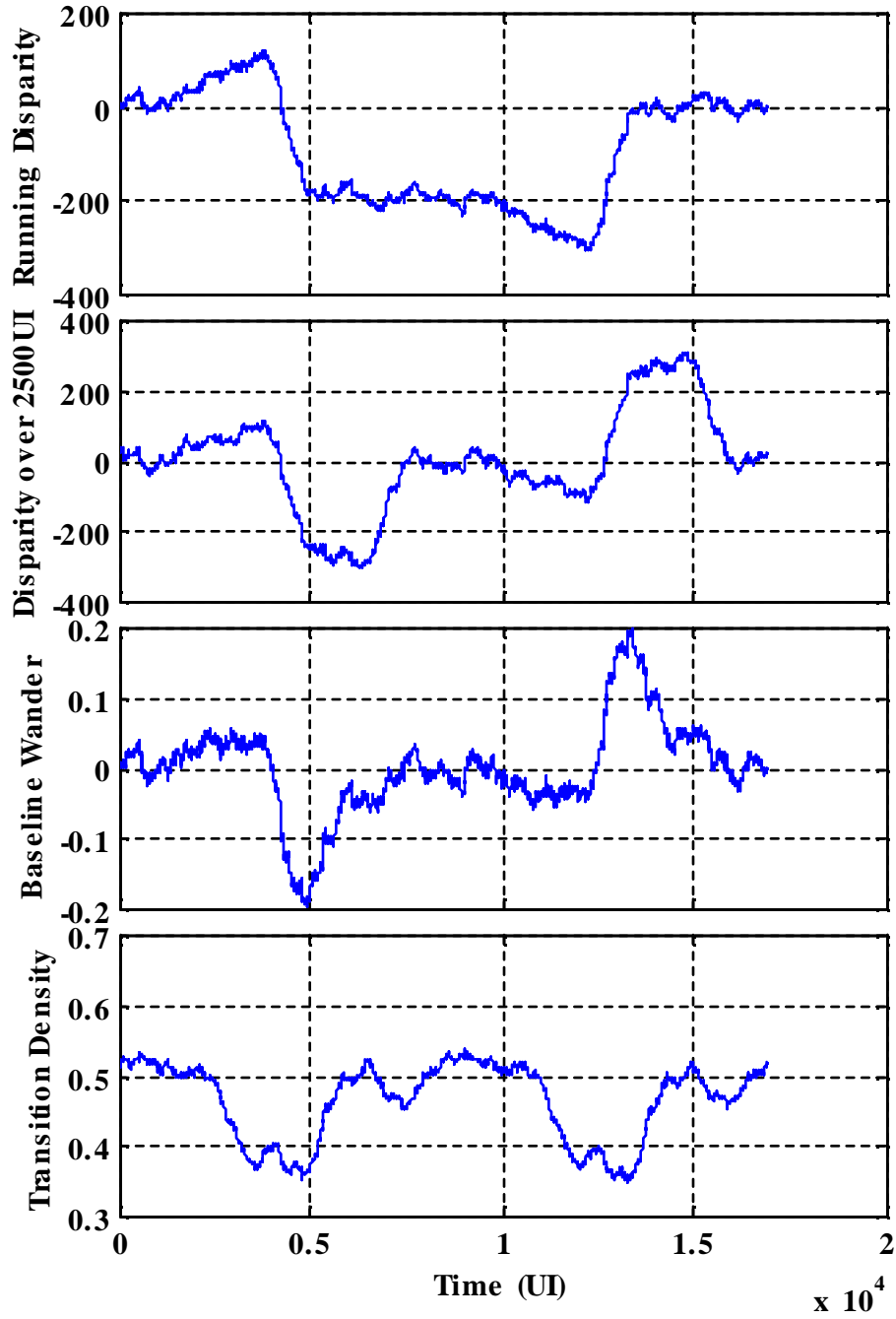


Pattern A: Data= zeros / Run of zeros



$\langle RL \rangle = 2.16$   
 $RL_{max} = 47$   
 $RL_{\sigma} = 1.96$

$RD_{max} = 312$   
 $RD_{min} = -312$

$BLW_{max} = 0.198$   
 $BLW_{min} = -0.198$   
 $BLW_{\sigma} = 0.066$

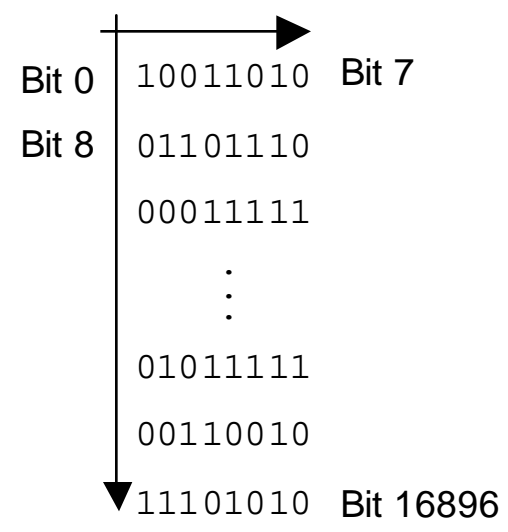
$\langle TD \rangle = 0.463$   
 $TD_{max} = 0.537$   
 $TD_{min} = 0.346$

# Pattern A

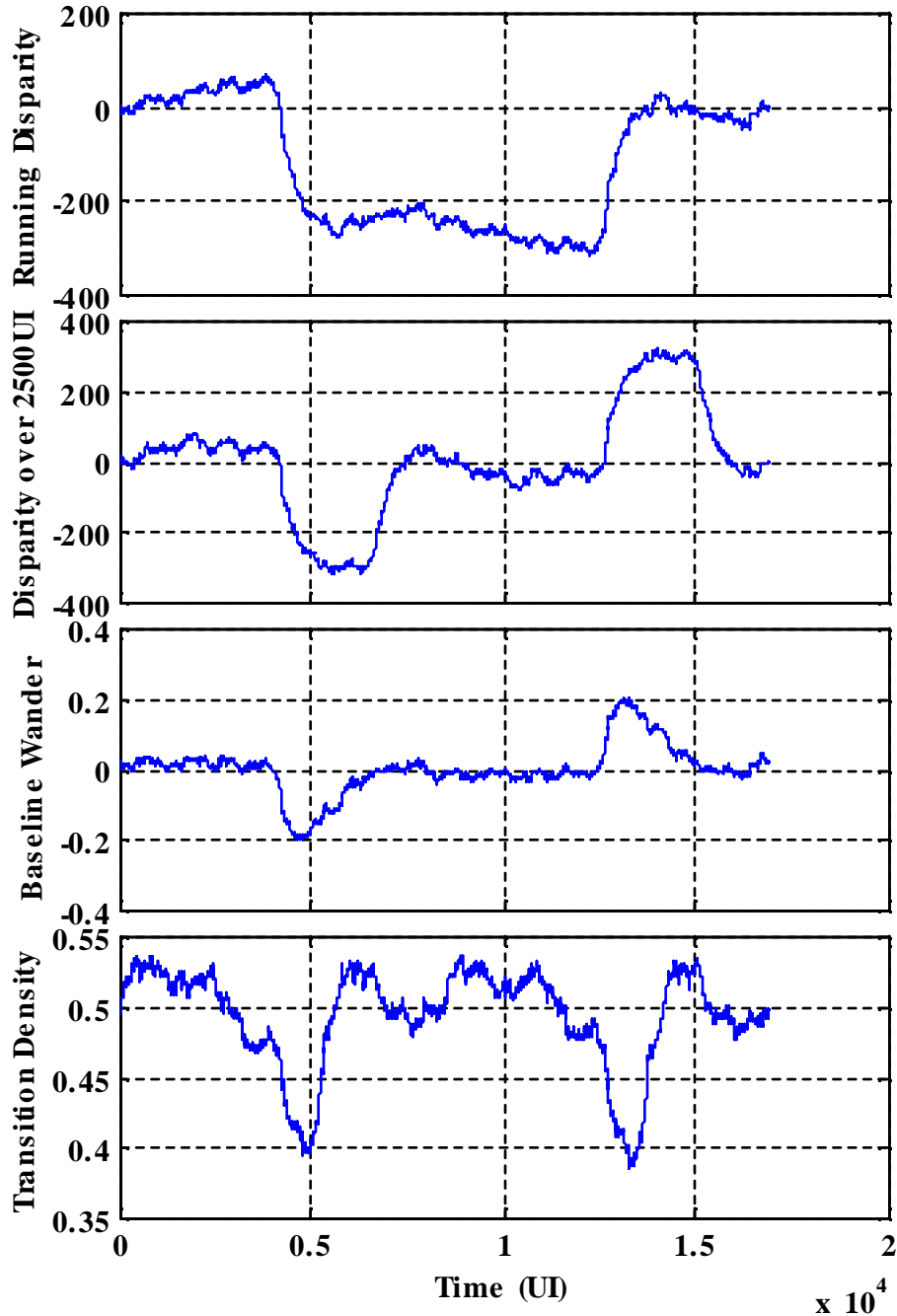
- Data = zeros
- Seed (S0 ... S57):  

```
11110010000000010110
11010101001110110010
001011010001001111
```

Transmission Order



Pattern B: Data= zeros / Run of zeros



$\langle RL \rangle = 2.03$   
 $RL_{max} = 47$   
 $RL_{min} = 1.77$

$RD_{max} = 322$   
 $RD_{min} = -322$

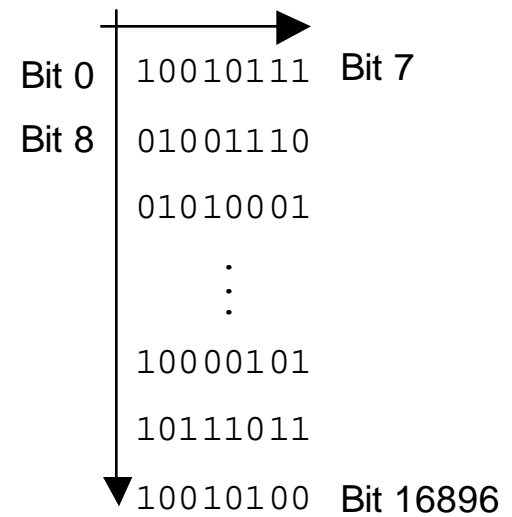
$BLW_{max} = 0.204$   
 $BLW_{min} = -0.204$   
 $BLW_{\sigma} = 0.069$

$\langle TD \rangle = 0.493$   
 $TD_{max} = 0.537$   
 $TD_{min} = 0.384$

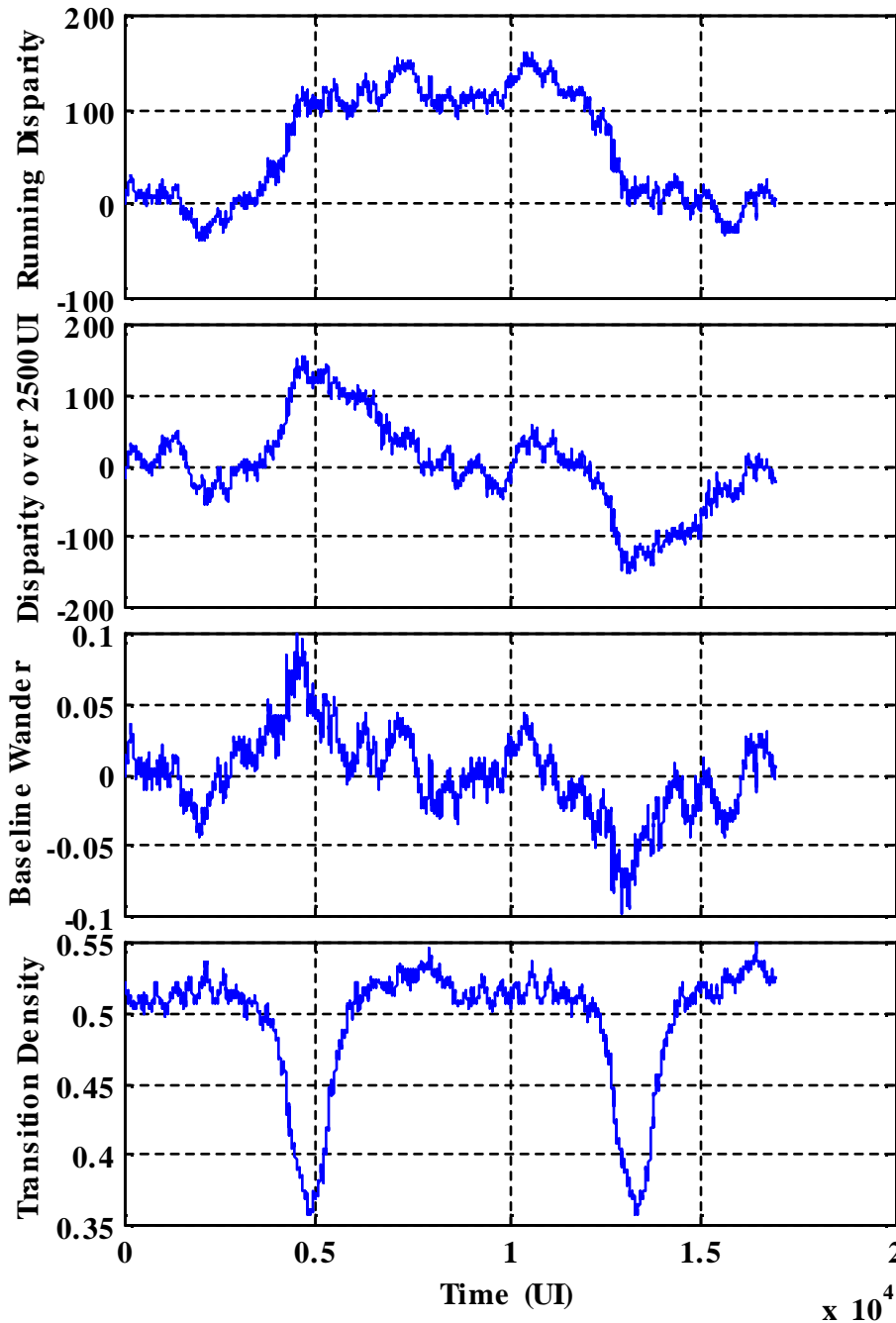
# Pattern B

- Data = zeros
- Seed (S0 ... S57):  
 11001110001110011101  
 11001111001100110011  
 001110010100100011

Transmission Order



Pattern C: Data= zeros / Run of ones



$\langle RL \rangle = 2.02$   
 $RL_{max} = 49$   
 $RL_{\sigma} = 1.90$

$RD_{max} = 156$   
 $RD_{min} = -156$

$BLW_{max} = 0.100$   
 $BLW_{min} = -0.100$   
 $BLW_{\sigma} = 0.030$

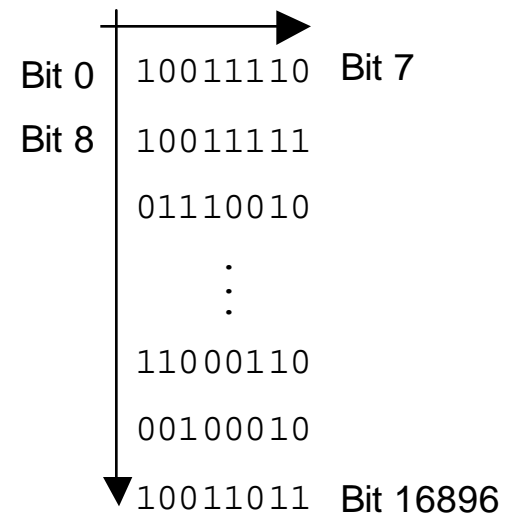
$\langle TD \rangle = 0.495$   
 $TD_{max} = 0.549$   
 $TD_{min} = 0.356$

# Pattern C

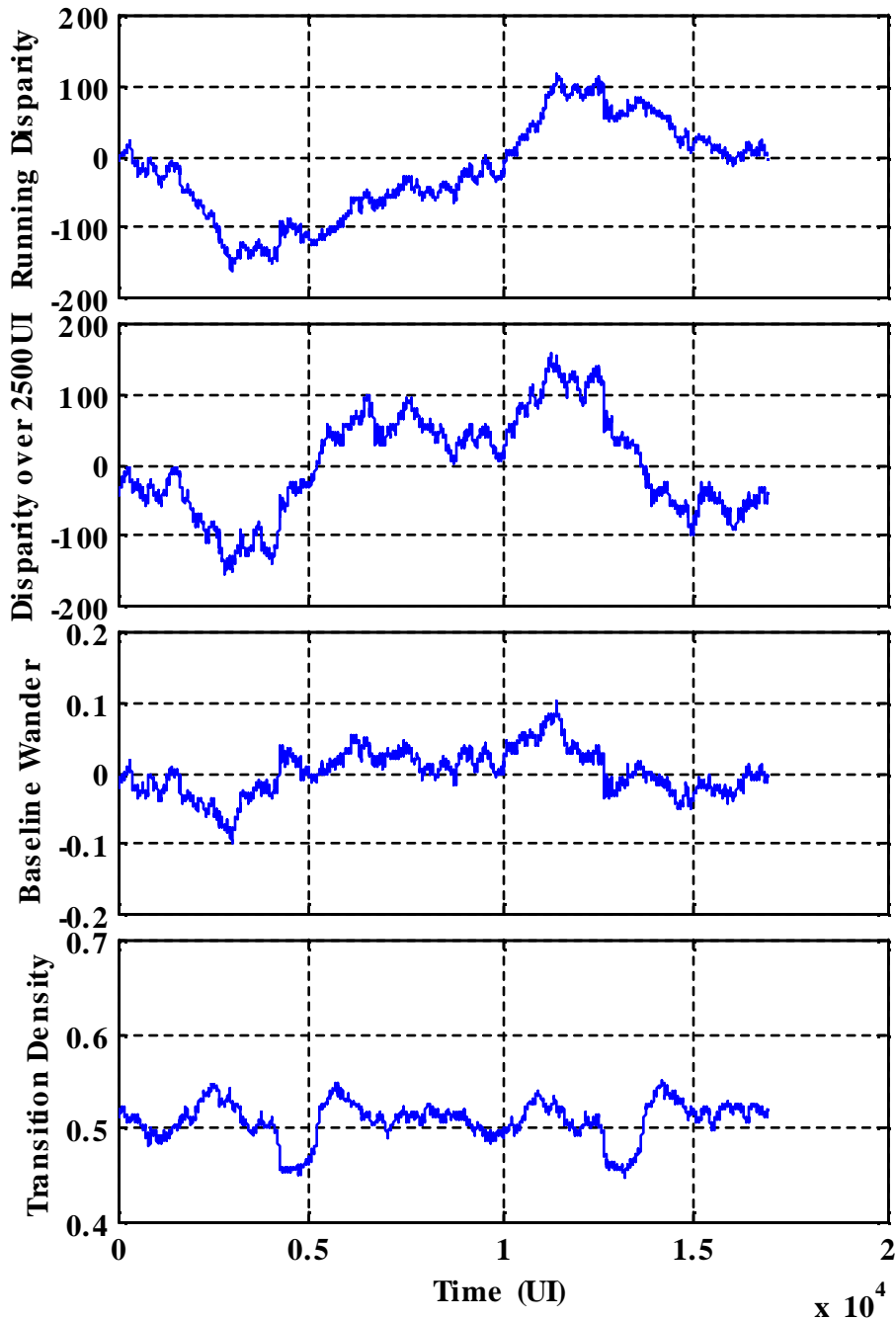
- Data = zeros
- Seed (S0 ... S57):  

```
01010001010100101011
00110101111000100010
100001000101001111
```

Transmission Order



Pattern D: Data= LF/Run of ones



# Pattern D

- Data = LF
- Seed (S0 ... S57):  

```
00100001000100011100
01011010000111011101
011000001001001011
```

Transmission Order

