

IEEE P802.3at Task Force Power Via MDI Enhancements

Simultaneous Operation of ALT A and B
4P Adhoc

Suggested Remedy for all 4P comments

May - June 2008 Report
Yair Darshan

Rick Frosch
Clay Stanford
James Lundberg
Ionel Marius Vladan
Gaoling Zou
Mohamad Saboori
Randy Rannow
Keith Hopwood
Christophe Gouwy
Ron Nordin
Joe Dupis

Phihong
LT
Intermec Corporation
AMIS
Maxim
Pulse
Tyco electronics
Phihong
ON Semiconductor Belgium
Panduit
Hubble



Previous meeting attendees

■ Ken bennett	Sifos
■ Ionel Marius Vladan	AMIS
■ David Law	3COM
■ Rick Frosch	Phihong
■ Keith Hopwood	Phihong
■ Frank Yang	Commscope
■ Gaoling Zou	Maxim
■ Thuyen Dinh	Pulse
■ Eran Bello	Microsemi
■ Sanita' Gianluca	NSN
■ Stephen Sedio	Foxconn
■ Reshef Tamir	Microsemi
■ Pavlik Reimboim	Microsemi
■ Larry Shorthill	NXP
■ Mo Saboori	Pulse
■ Steve Sedio	Foxconn
■ Thong Huynh	Maxim
■ Harmik Singh	Maxim
■ Geoff Thompson	Nortel



Agenda

- Background
- Demonstration of IEEE802.3af current text. Figure 1
- Current text after May 2008 comment resolution
- Updated Group Consensus from March 2008
- Suggested Remedy options
- Current text of 802.3 and suggested Remedy – Proposal for Discussion
- Discussion
- Previous reference material



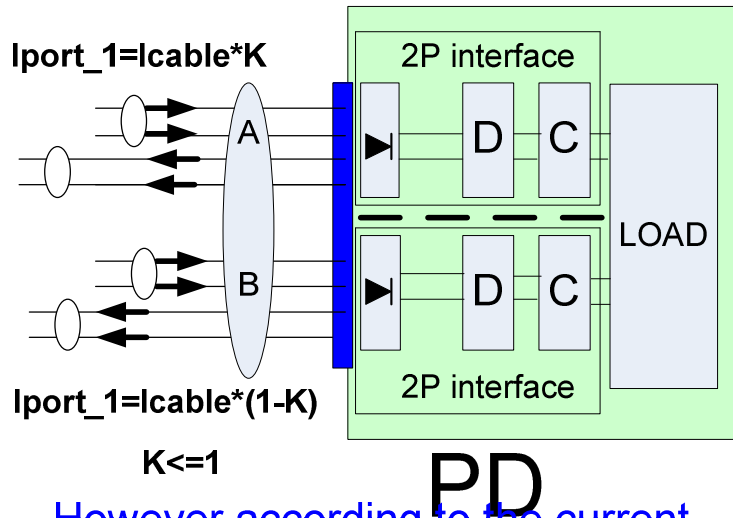
Background

- In January interim a proposal was made for resolving the 4P bucket.
- The proposal was based on treating the simultaneous operation of ALT A and ALT B both in PSE or PD as “out of scope of the standard” in similar way to the 1G Midspan in the 802.3af.
- The ideas behind this approach according to the supporters:
 - Reduce the amount of new requirements to the specification.
 - Not to disallow solutions that are feasible and coexist with 802.3
- Some members of the group raise questions regarding if there are interoperability issues if we leave the text just as “out of scope” and may be we should add some text to exclude some configurations.
- The purpose of the ad hoc is to learn the subject and come up with recommendations for the desired text.
- On March 2008 we agreed that if ALT A and B are coming from the same segment/box/power supply/Type 2 PSE it works. The other configurations should be excluded.



Demonstration of IEEE802.3af current text. Figure 1

This PD is equivalent in power requirements to figure 1-1. The difference is different implementation.



However according to the current Figure text in the PSE, we can't deliver the 1-2 current over all 4 pairs.

This is what we allow today

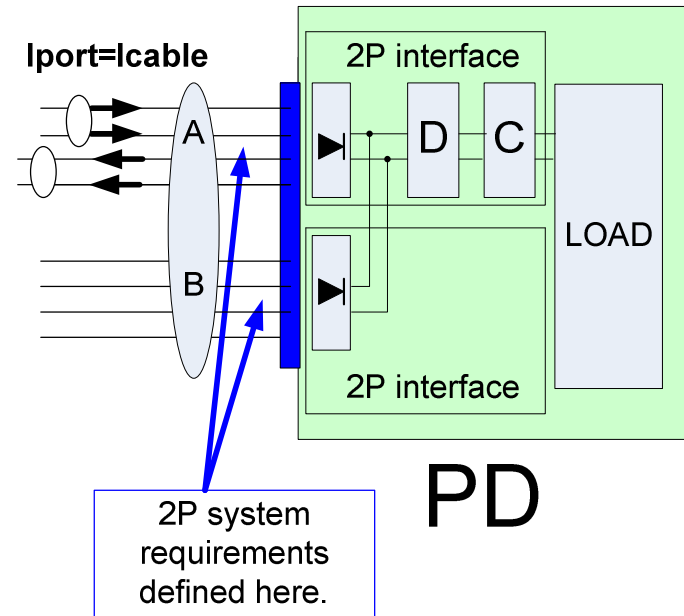


Figure 1-1

Both PDs will work with any PSE (2P, 2x2P)

Adhoc agrees



Current text of Draft D3.0 after May 2008 comment resolution

- **PSE section: 33.2.2 Page 22 line 49-52:**

- A PSE shall implement Alternative A or Alternative B, or both. ~~, provided the PSE meets the constraints of 33.2.3. Implementors are free to implement either alternative or both.~~

While a PSE may be capable of both Alternative A and Alternative B, *PSEs shall not operate both Alternative A and Alternative B on the same link segment simultaneously.*

- **PD section: 33.3.1 Page 49 line 41-42:**

NOTE—PDs that implement only Mode A or Mode B are specifically not allowed by this standard. PDs that may simultaneously require power from both Mode A and Mode B are specifically not allowed by this this standard.

Adhoc agrees



Updated Group Consensus from March 2008

- Resolving N x 2P comments

- (1) With minimal changes in 802.3
- (2) No additional requirements for 2P PSE or PD specifications
- (3) allows flexible PD implementations and applications
- (4) allows simple and clear standard

- *To disallow the use of* configurations which include

- (1) Type 1 PSE
- (2) ALT A and ALT B that are coming from different segments and different power supplies

- To allow the configuration that meets the following requirements

- ALT A and ALT B are both Type 2.
- ALT A and ALT B are coming from the same port/box/segment.

Adhoc agrees



Suggested Remedy options

- (1) Disallow only specific configurations that may exhibit interoperability issues
- (2) Make simultaneous operation of ALT A and ALT B on the same segment “out of scope of the standard”
- (3) Delete the whole text referring to simultaneous operation
- (4) = (1) + (2) Preferred by the ad hoc
- (5) = (1) + Make simultaneous operation of ALT A and ALT B on the same segment optional 2nd best
- (6) other option ?

**Ad hoc discussed all 5 options.
No other options were suggested.
Ad hoc prefers option 4.**



Current text of 802.3 and suggested Remedy – Proposal for Discussion

PSE section: 33.2.2 Page 22 line 49-52:

A PSE shall implement Alternative A or Alternative B, or both.

While a PSE may be capable of both Alternative A and Alternative B, PSEs shall not operate both Alternative A and Alternative B simultaneously ~~on the same segment if~~ Alternative A and Alternative B are coming from different link segments or different power systems or from Type 1 PSE.

For Type 2 PSEs, simultaneous operation of Alternative A and Alternative B on the same link segment is out of scope of the standard.

PD section: 33.3.1 Page 49 line 41-42:

NOTE—PDs that implement only Mode A or Mode B are specifically not allowed by this standard. PDs that may simultaneously receive ~~require~~ power from both Mode A and Mode B are ~~specifically not allowed by~~ out of scope of this this standard.

Original Text

~~Suggested to delete~~

New text

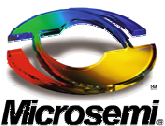
Adhoc agrees



Discussion



■ Previous Material



Background - Previous work - 802.3af

- Technical work regarding simulations operation of ALT A and ALT B was not done at the 802.3af project.
 - A 4P concept were presented on single slide w/o detailed discussion (confirmed with the presenter).
 - Popularity of 2P CAT3 cables installations were discussed as a potential reason for interoperability issues however this argument was not examined for potential solutions such 2x2P concept. In addition 2P cable argument is not relevant today as 4P cable installations are required (10/100/1000BT) and 2P cables are out of scope of the standard.
 - See CFI presentations
 - See page 10 at http://www.ieee802.org/3/power_study/public/july99/stapleton_1_0799.pdf
 - See page 8 at http://www.ieee802.org/3/power_study/public/july99/lehr_1_0799.pdf
 - No further discussions at Study group or Task Force
 - The reason was the belief that 15.4W is sufficient for most applications so we didn't invest time on it
 - It was not in the objectives nor at the promises of the CFI
 - Time pressure to meet the objectives and project time table hence no body bother to check or verify or discuss on it.
- If somebody has documented information on the subject from the 802.3af project, please send it to the 4P ad hoc.

Adhoc agrees



Background - Previous work - 802.3at

- Two concepts were discussed
- 1st concept: 4P PD as special PD type e.g. AF PD, 2P AT PD, 4P AT PD.
- 2nd concept: After a year or so of discussions we made a progress by recommending of more general approach which is Nx2P while 2P is the basic building block (see reference 3.10 at page 17) . This approach is significantly reducing the amount of work required to specify a 4P PD operation by requiring the PD will meet the requirements of 2P operation over each two pairs.
- See the reference list at the end of this presentation which addresses the following topics discussed at the group:
 - Technical feasibility
 - Economical feasibility
 - Market need and applications
 - Motions, Decisions and straw polls



Proposed Coarse of action

- Investigating the “out of scope” proposal in addition to investigate interoperability issues in case we would like to exclude some configurations or all, or supply information at the informative section of the standard

Adhoc agrees



Changing Focus from March 2008 meeting

- During the add hoc meeting we had a consensus to limit the number of system configurations to 1.
 - Only 2x2P Type 2 allowed
 - All 2P pairs coming from the same box, same segment
 - The above allows interoperable configuration in 10/100/1000BT
 - No issues with L1, L2

Adhoc agrees



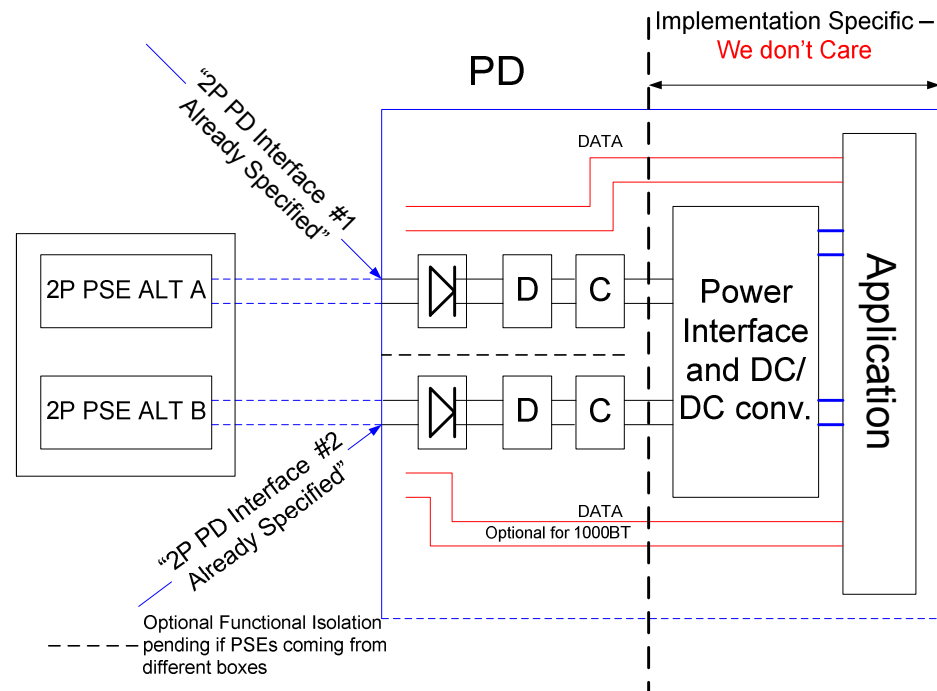
Proposed baseline concept for discussion

■ PD

- Receives multiple 2P power source
- Each 2P in the PD has 2P interface and meets 2P system requirements
- Power levels, Power partition and Power combining are the PD business pending on power level, applications and implementations **as usual**.

■ PSE

- Each PSE power source has to meet 2P requirements.



Adhoc agrees

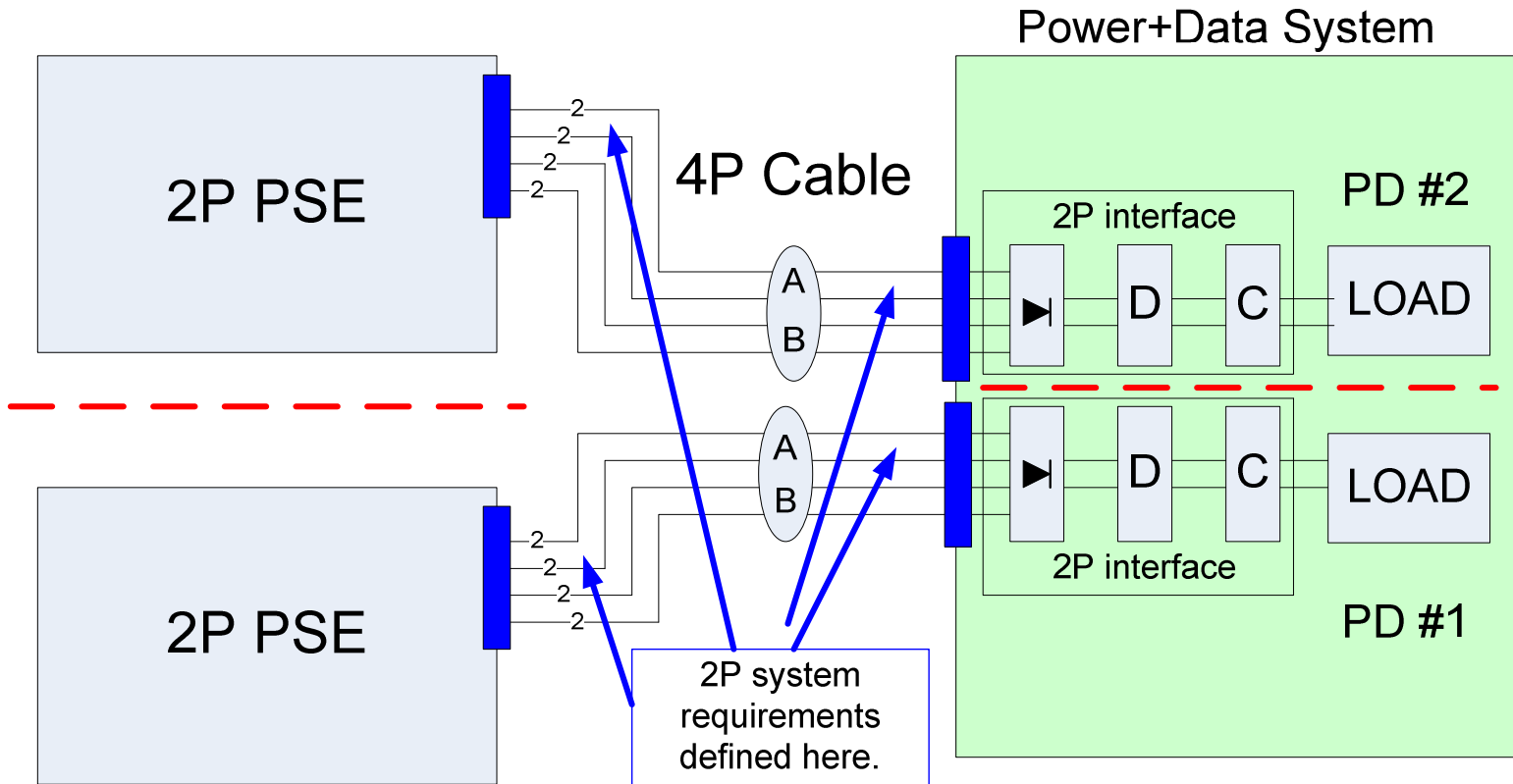


2 x 2P concept Summary

- Due to the need that PD will support both ALT A or ALT B (33.3.1), current 802.3af/at is a 4P interface in any case. It is always 2x 2P interface.
- At each 2P at the RJ45, we see Detection, Classification, PD indication etc.
- 2P System is the basic building block. 4P powering system may be constructed by 2x2P independent systems
- N Pairs systems is constructed by N x 2P systems.
- Hence a PD that requires power over 4 pairs is actually a PD that is connected to 2x2P systems and each 2P system has all 2P functions.
- As a result, questions such:
 - Current sharing or not?
 - Current Balancing or not?
 - Interoperability issues
- Became easy to answer due to the fact that the multi 2P powering systems that is suggested herein does not require any correlation between the individual 2P powering sub system. Such correlation may be an implementation feature of the PD which is beyond the scope of this standard like any other implementation specific feature.



Today We Can Do The Following....Figure 2



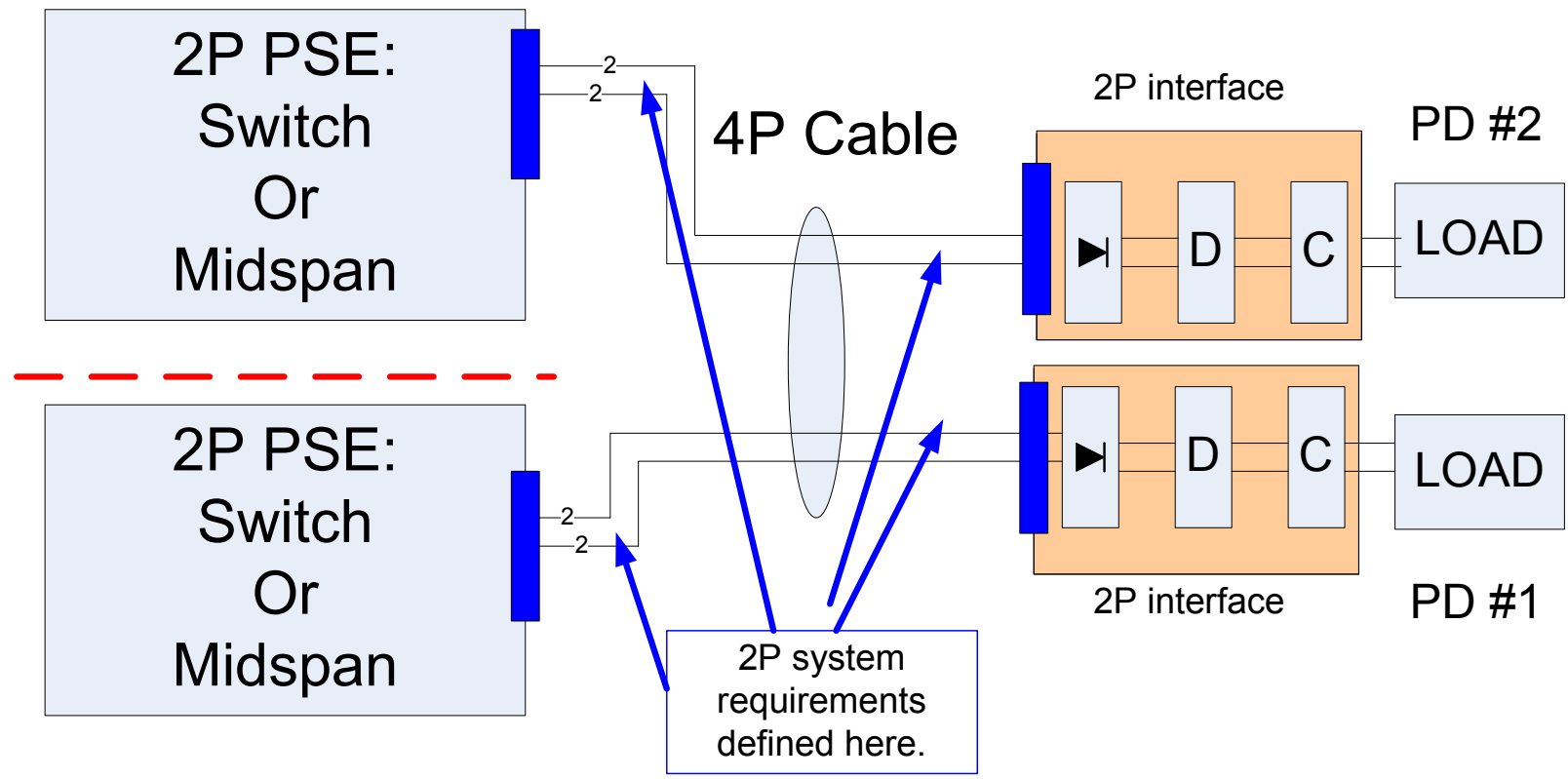
--- Environment A or B isolation as defined by IEEE802.3af
 ■ Connector. The 2 x 2P PSE may be located in the same or different box.

2 Cables. May be integrated to a single cables. All cables are simultaneously powered.

Adhoc agrees



The spec is not prohibiting Y connection – Figure 3



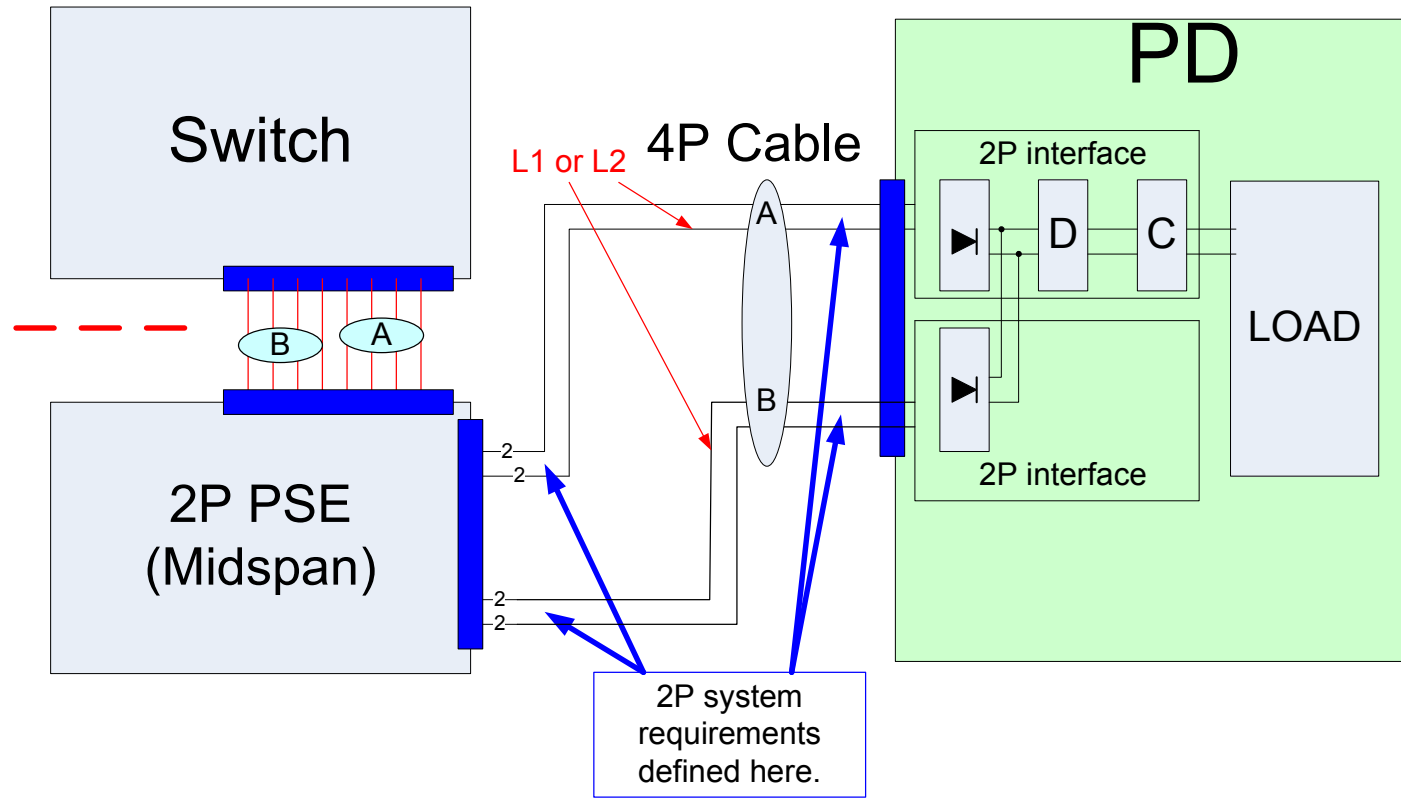
- - - Environment A or B isolation as defined by IEEE802.3af
- Connector. The 2 x 2P PSE may be located in the same or different box, on the same cable.

Simultaneous power all pairs.

Adhoc agrees



Mispan-Switch Combinations – Figure 4



--- Environment A or B isolation as defined by IEEE802.3af
 ■ Connector. The 2 x 2P PSE may be located in the same or different box, on the same cable.

Adhoc agrees.



List of
references and
previous
discussions –
preliminary

- **1. Market opportunities**
- http://www.ieee802.org/3/poep_study/public/nov04/Feldman_1_1104.pdf
- http://www.ieee802.org/3/poep_study/public/jan05/feldman_1_0105.pdf
- http://www.ieee802.org/3/at/public/jan06/darshan_1_0106.pdf
- http://www.ieee802.org/3/at/public/nov06/feldman_1_1106.pdf
- **2. Economical Feasibility**
- http://www.ieee802.org/3/poep_study/public/jan05/darshan_1_0105.pdf
- http://www.ieee802.org/3/poep_study/public/mar05/darshan_1_0305.pdf
- http://www.ieee802.org/3/at/public/jan06/darshan_2_0106.pdf
- **3. Technical Discussions**
- http://www.ieee802.org/3/poep_study/public/mar05/darshan_1_0305.pdf
- http://www.ieee802.org/3/poep_study/public/may05/stanford_1_0505.pdf
- http://www.ieee802.org/3/poep_study/public/sep05/darshan_4_0905.pdf
- http://www.ieee802.org/3/poep_study/public/jul05/darshan_1_0705.pdf
- http://www.ieee802.org/3/at/public/nov05/dwelley_1_1105.pdf
- http://www.ieee802.org/3/poep_study/public/sep05/thompson_1_0905.pdf
- http://www.ieee802.org/3/at/public/jan06/darshan_1_0106.pdf
- http://www.ieee802.org/3/at/public/may06/darshan_1_0506.pdf
- http://www.ieee802.org/3/at/public/may06/altmann_1_0506.pdf
- **http://www.ieee802.org/3/at/public/jul06/darshan_2_0706.pdf**
- **4. Technical Feasibility Demonstration**
- http://www.ieee802.org/3/poep_study/public/mar05/dupuis_1_0305.pdf
- http://www.ieee802.org/3/poep_study/public/mar05/nordin_1_0305.pdf
- **5. Consensus Proposals**
- http://www.ieee802.org/3/at/public/nov05/darshan_2_1105.pdf
- **6. Straw polls and motions for having 4P in the standard**
- http://www.ieee802.org/3/poep_study/public/sep05/minutes_0905.pdf

Simultaneous Operation of ALT A and B 4P Adhoc , Yair Darshan, June 18, 2008

Page 21

