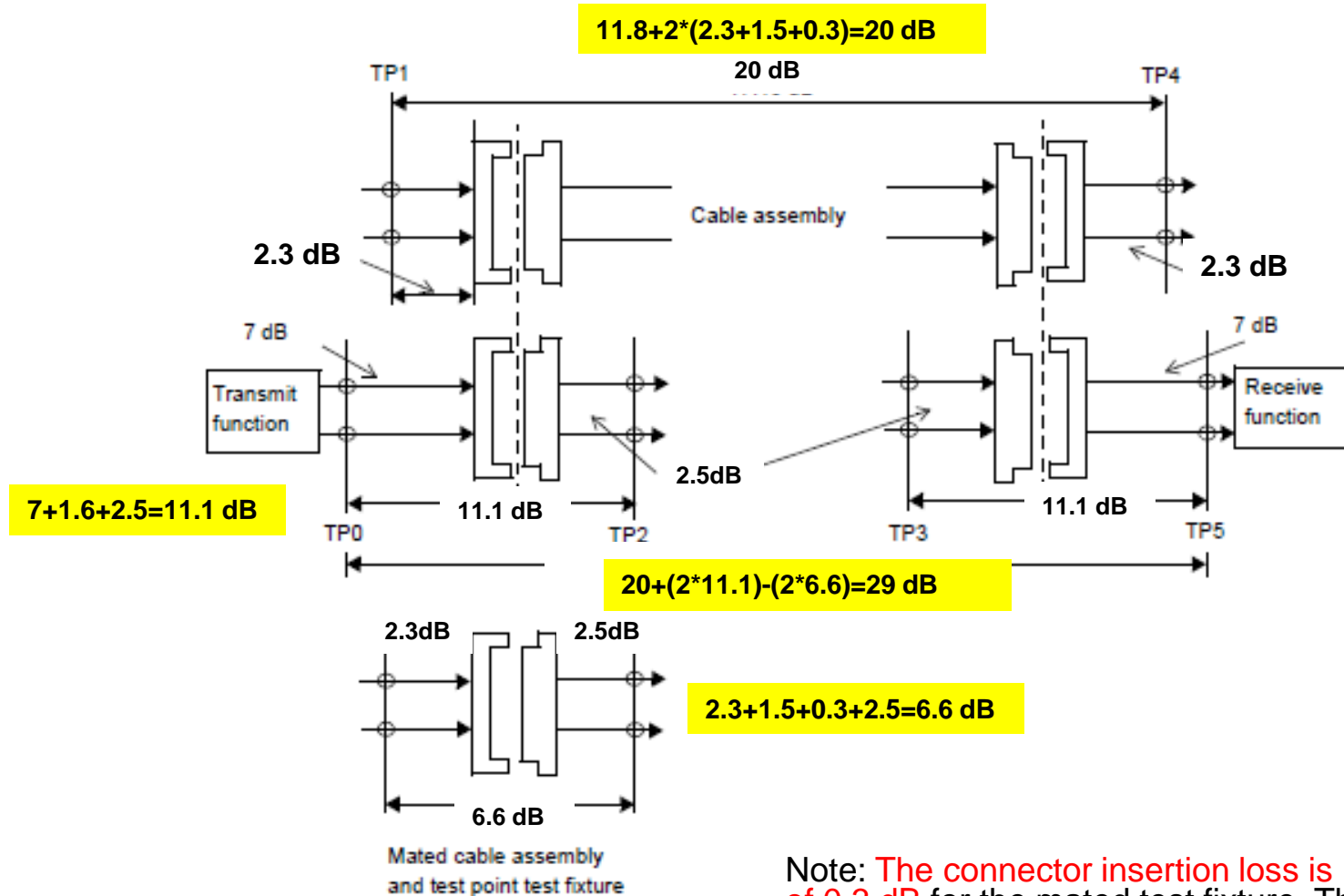

Cable assembly, MTF, and Channel IL

Chris DiMinico
MC Communications/PHY-SI LLC/Panduit
cdiminico@ieee.org

Purpose

- Insertion Loss Budgets to supplement palkert_3ck_01a_0519.pdf

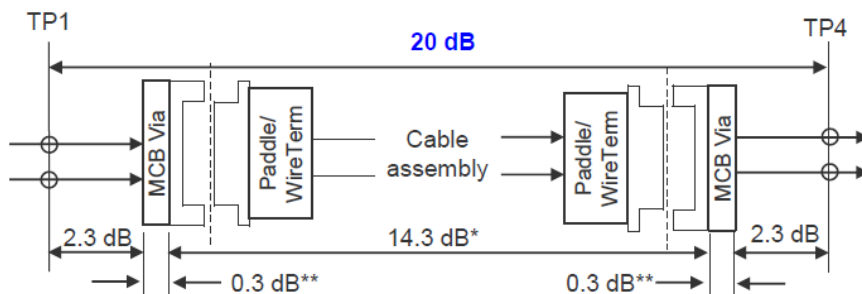
Cable assembly, MTF, and Channel IL - Baseline



Note: The connector insertion loss is 1.5 and via allowance of 0.3 dB for the mated test fixture. The host connector is allocated 0.1 dB for implementation allowance.

TP1-TP4 Loss Budget:

- Simulated loss curves put TP1-TP4 loss just below 20 dB
- They are simulated and don't account for manufacturing variation
- Adding some room for error, proposed TP1-TP4 IL: **20 dB**



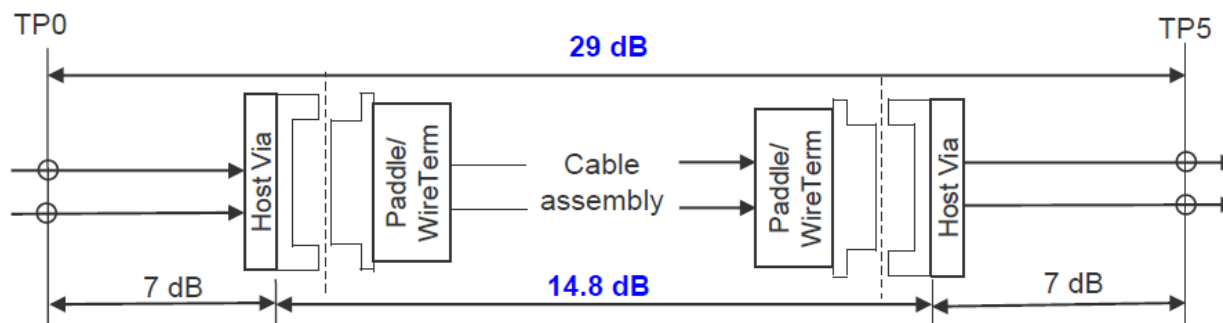
This leaves ~0.5 dB of margin for manufacturing variation

*Value determined working backwards from 19.5 dB work case loss

**This is a rough estimate based on one MCB design

TP0-TP5 Loss Budget:

- Simulated loss curves put TP1-TP4 loss just below 20 dB
- They are simulated and don't account for manufacturing variation
- Adding some room for error, proposed TP1-TP4 IL: **29 dB**



This leaves ~0.2 dB of margin