

Review of IEEE P802.3ct Project Timeline

John D'Ambrosia

Chair, IEEE P802.3ct Task Force

Futurewei, U.S. Subsidiary of Huawei

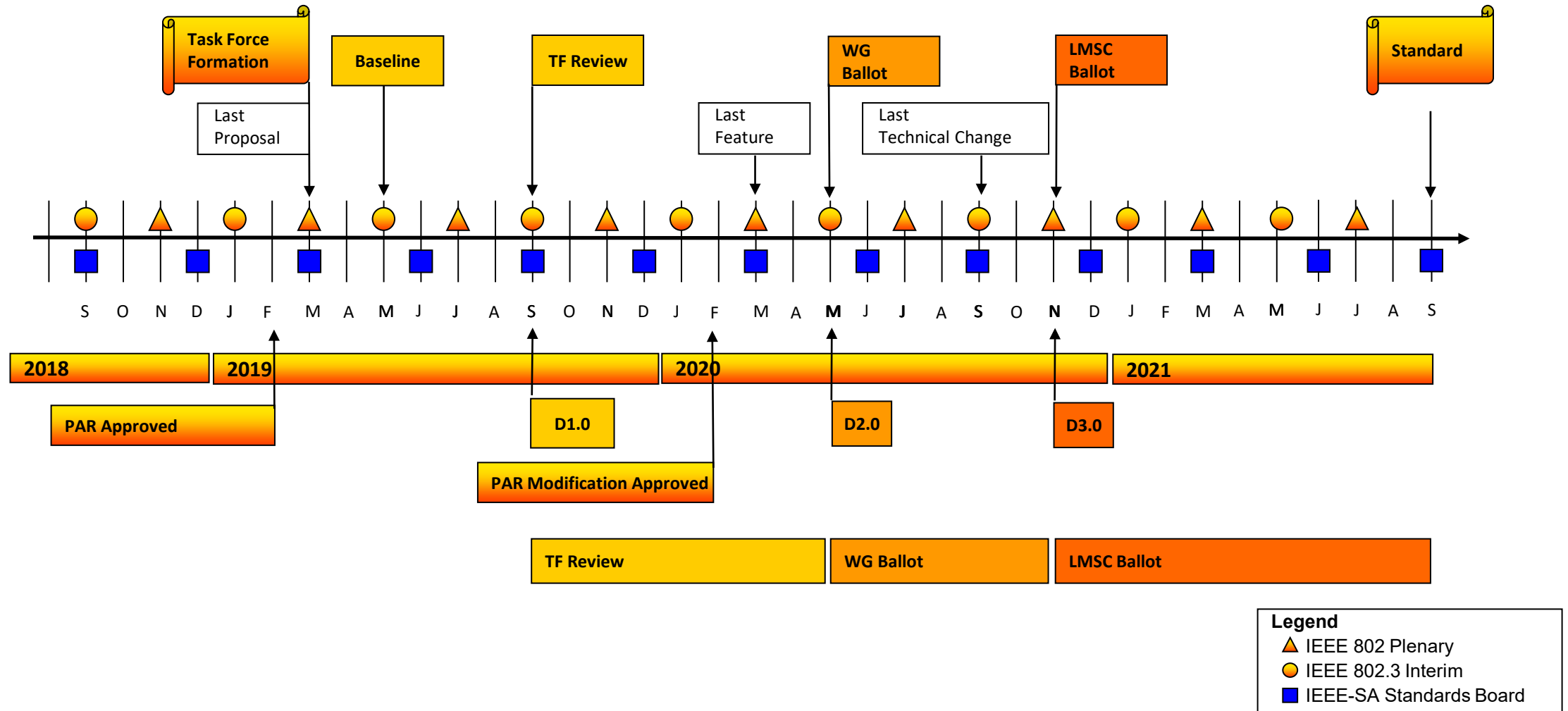
Joint IEEE P802.3ct / P802.3cw July 30, 2020 Interim Teleconference

Introduction

- IEEE 802.3 planning for revision. See http://www.ieee802.org/3/minutes/jul20/0720_maint_close_report.pdf
- This presentation examines the potential impact on P802.3ct.

Adopted IEEE P802.3ct Timeline

Adopted –Jan 2020



Impact of Revision Process

2b

If standard approved by SA Std Board before July – added as an amendment to 802.3-2018

3b

Key Dates
 RevCom Sub. – May 6, 2021
 SA Std Board – June 15, 2021

1

Maintenance revision –
 SA Ballot – Target date:
 July 2021

2a

If standard approved by SA Std Board after July – added as an amendment to 802.3-2022.
 Publication of P802.3ct delayed ≈ 4 mos from original schedule

3a

Key Dates
 RevCom Sub. – Aug 13, 2021
 SA Std Board - Sept 23, 2021

