

Change Figure 148-3 and Figure 148-4 as shown:

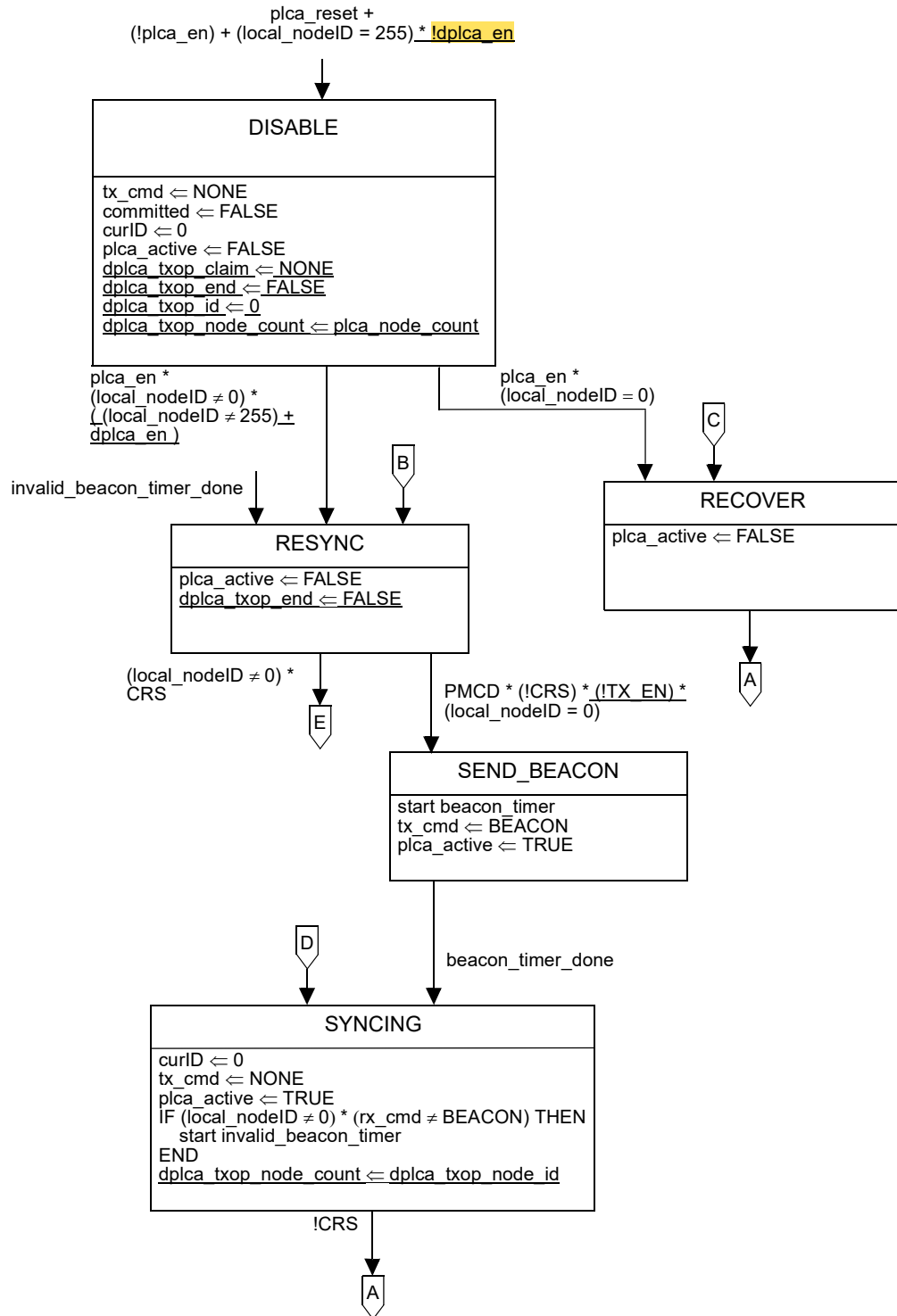


Figure 148-3—PLCA Control state diagram, part a

1
2
3
4
5
6
7
8
9
10
11
12
13
14
15
16
17
18
19
20
21
22
23
24
25
26
27
28
29
30
31
32
33
34
35
36
37
38
39
40
41
42
43
44
45
46
47
48
49
50
51
52
53
54

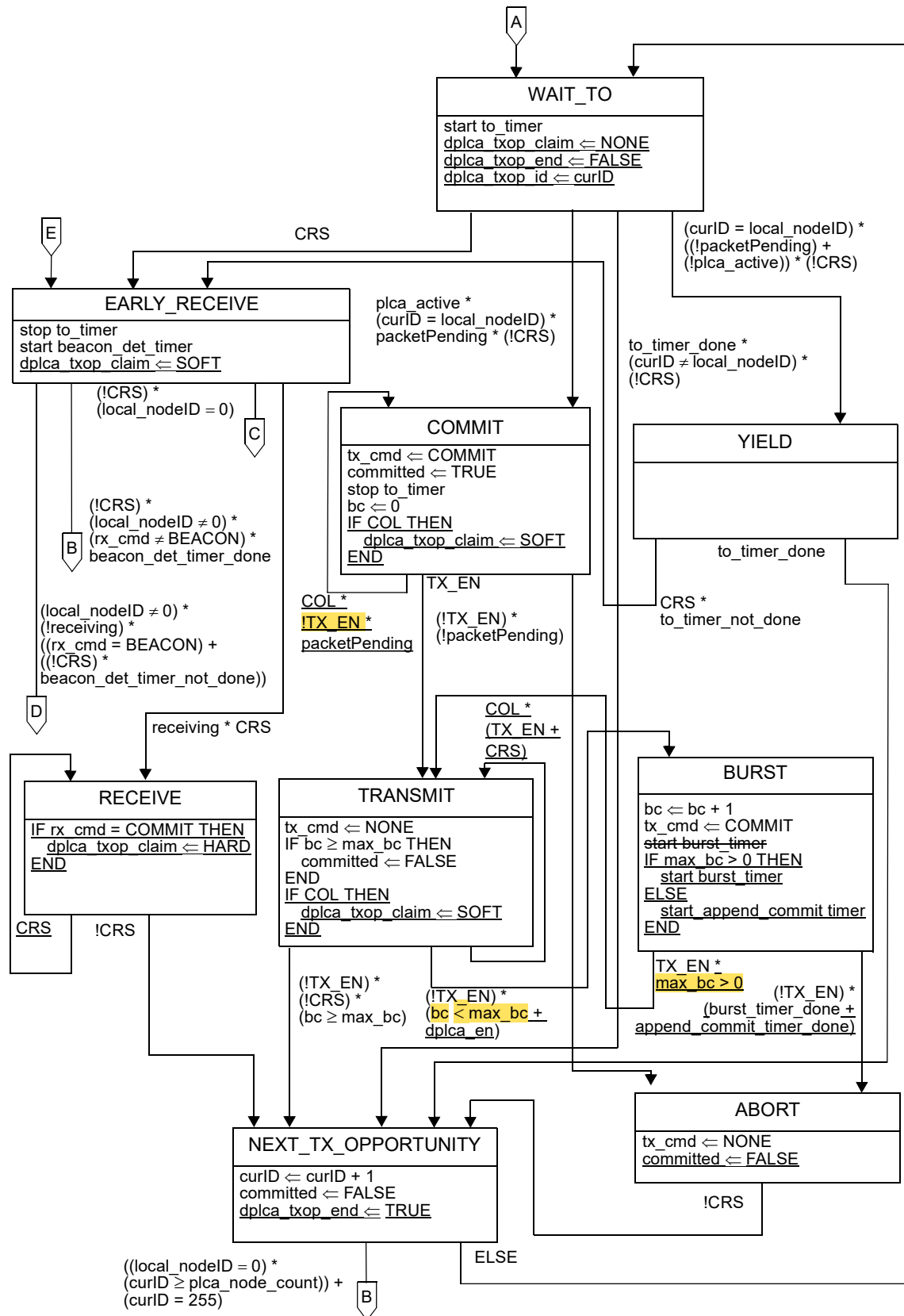


Figure 148-4—PLCA Control state diagram, part b

148.4.7.5 D-PLCA Control state diagram

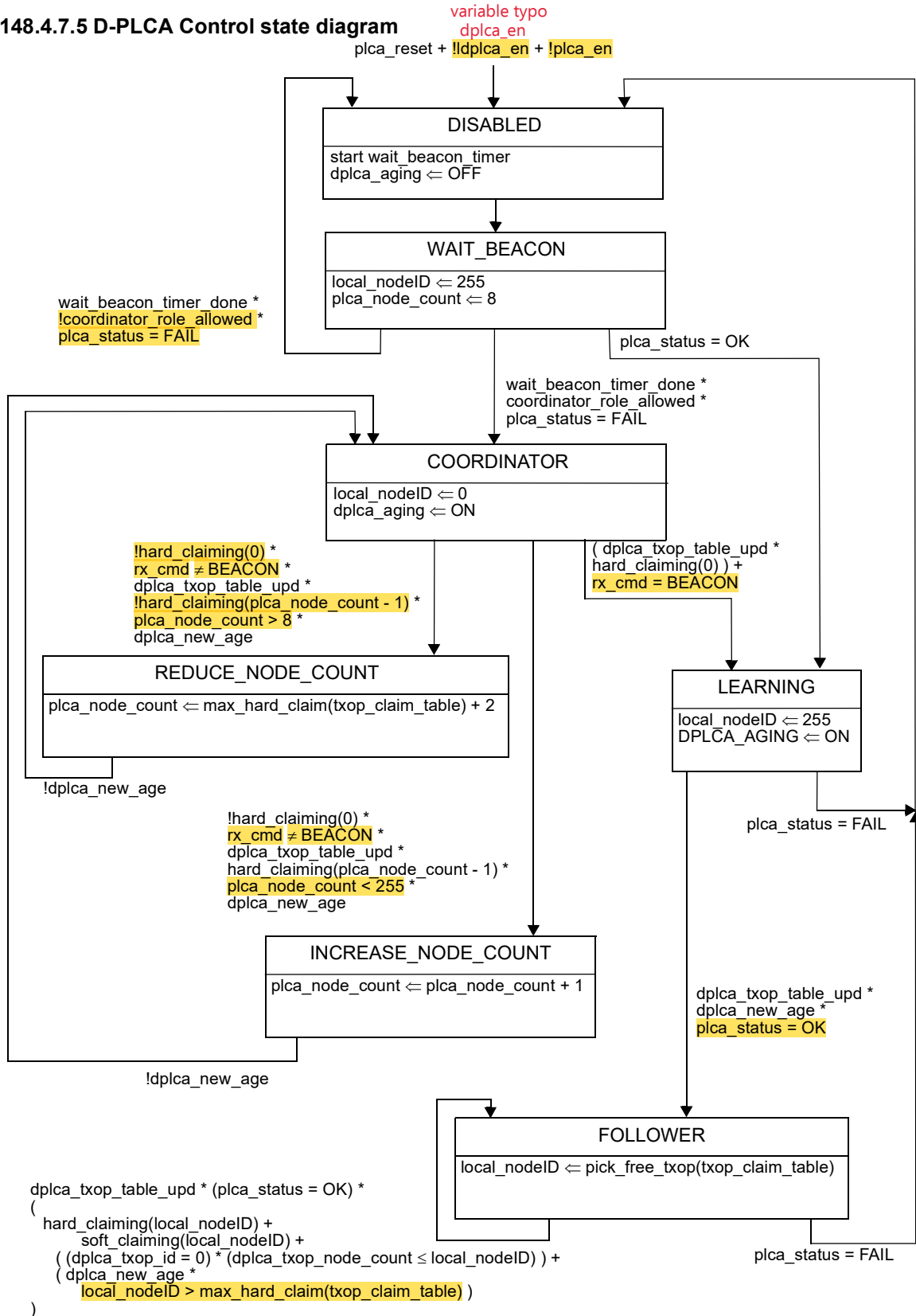


Figure 148-8—D-PLCA Control State Diagram