

Proposal for a 100BASE-T1L PHY using PAM-3 8b6T

Brian Murray

- ▶ PAM3 modulation at 80 MSym/s using 8b6T coding in conjunction with an 8N/8N+1 block code and with a low latency mode and a burst error protection mode
 - Using the list of non-negative disparity codewords in [ctl_data_code_groups_07152024](#)
 - This file has 256 lines and each line has 7 entries.
 - The first entry is the 8-bit binary selection
 - The remaining 6 entries provide the ternary values for the code-group
 - The control of running disparity on the transmit side as described in slide 3
 - The low latency mode using a 16B/17B block code as described in slide 4
 - The burst error protection mode using a 64B/65B block code and a RS (128, 122, 3, 8) FEC code as described in slide 5
 - The sequence of transmit bits and symbols is constructed as described in slides 3 to 6

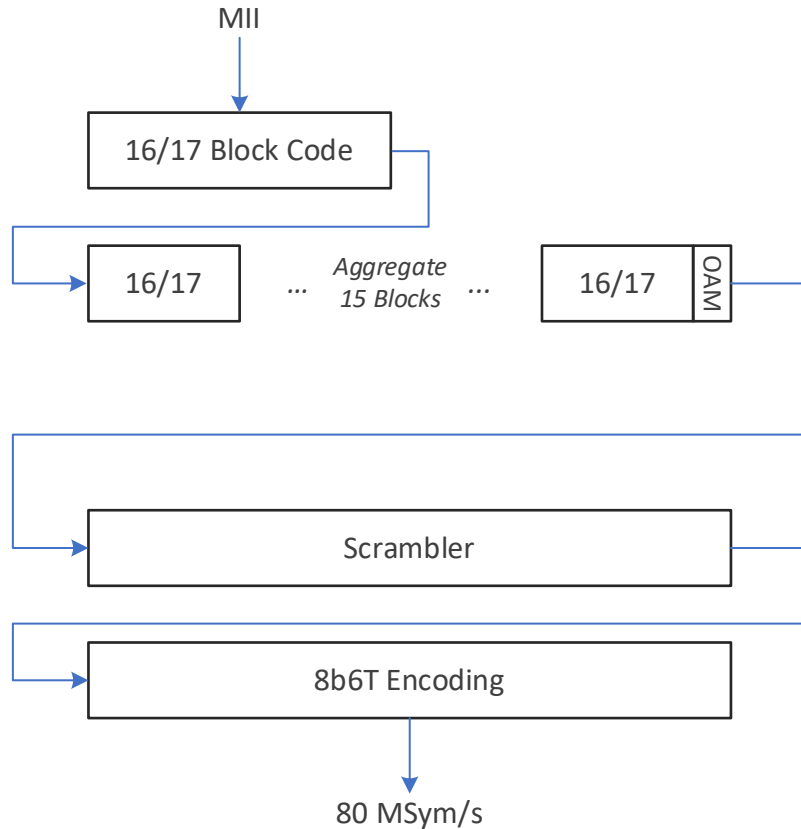
- ▶ The running disparity (RD) at the transmitter is controlled as follows
 - Each 8-bit value from the encoder is associated with a 6-tuple with non-negative disparity
 - If the 8-bit value from the encoder is associated with a 6-tuple with zero disparity, then the 6-tuple is transmitted as is
 - If the 8-bit value from the encoder is associated with a 6-tuple with positive disparity, then the following rules apply
 - If RD is negative, then the 6-tuple associated with the 8-bit value from the encoder is transmitted as is
 - If RD is positive, then the 6-tuple associated with the 8-bit value from the encoder is negated before transmission
 - If RD is zero, then a pseudo random Boolean value derived from the scrambler determines whether to negate the 6-tuple before transmission
 - RD is recomputed after transmission of each 6-tuple

- ▶ Use PAM-3 modulation with an 8b6T code at 80 MSym/s
 - Use an $8N/8N+1$ block code with $N = 2$: a 16B/17B block code
 - With $L = 15$ and a data block size of $15 \times 16 = 240$ bits
 - With $L = 15$ and 1 x OAM bit we have $15 \times 17 + 1 = 256$ bits after the block code
 - Transmitted as $32 \times 8b6T$ symbols
 - The symbol rate is $(256/240) \times (6/8) \times 100 = 80$ MSym/s

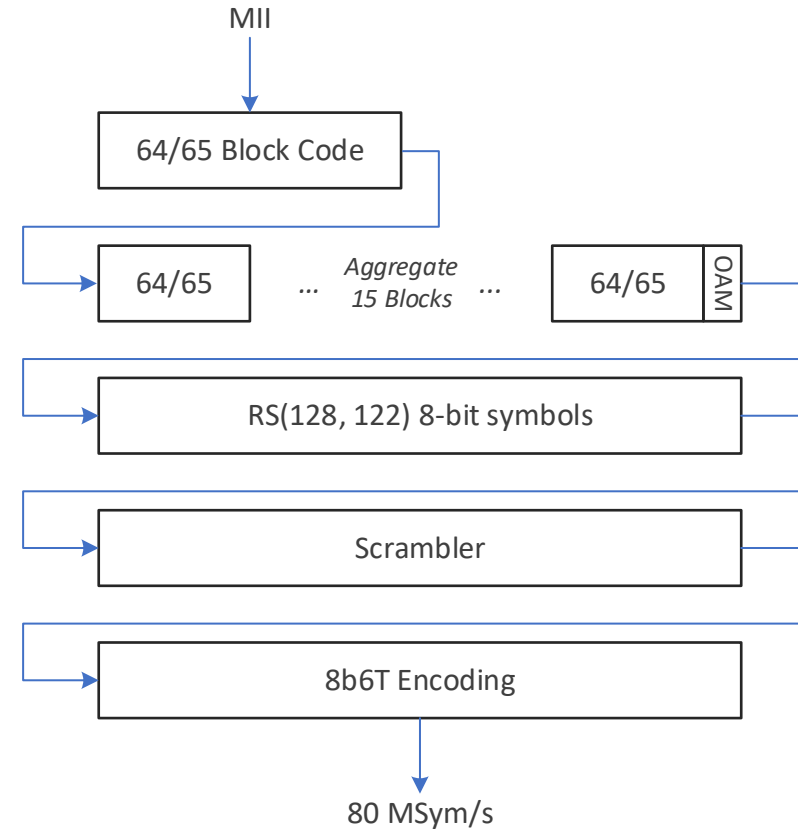
- ▶ Use PAM-3 modulation with an 8b6T code at 80 MSym/s
 - Use an $8N/8N+1$ block code with $N = 8$: a 64B/65B block code
 - Use a Reed Solomon FEC code over a Galois Field $GF(2^8)$: RS(128, 122, 3, 8)
 - With 3 correctable symbols for 225 ns of burst error protection
 - The details of RS FEC is described on slide 5 of [Tingting_3dg_02_16_07_2024](#)
 - With $L = 15$ and a data block size of $15 \times 64 = 960$ bits and thus a block length of $9.6 \mu\text{s}$
 - With $L = 15$ and 1 x OAM bit we have $15 \times 65 + 1 = 122 \times 8 = 976$ bits after the block code
 - And a total RS block size of $128 \times 8 = 1024$ bits
 - Transmitted as $128 \times 8\text{b6T}$ symbols
 - The symbol rate is $(1024/960) \times (6/8) \times 100 = 80 \text{ MSym/s}$

Block Diagram of Transmit Path for each Mode

Low Latency Mode



Burst Error Protection Mode



**The scrambler and OAM details to be defined*