

# Revisiting the IEEE P802.3dj Adopted Timeline

**IEEE P802.3dj Task Force**

**IEEE 802.3 May 2024 Interim**

**John D'Ambrosia**  
**Chair, IEEE P802.3dj Task Force**  
**Futurewei, U.S. Subsidiary of Huawei**

**Matt Brown**  
**Chief Editor, IEEE P802.3dj Task Force**  
**Alphawave Semiconductor**



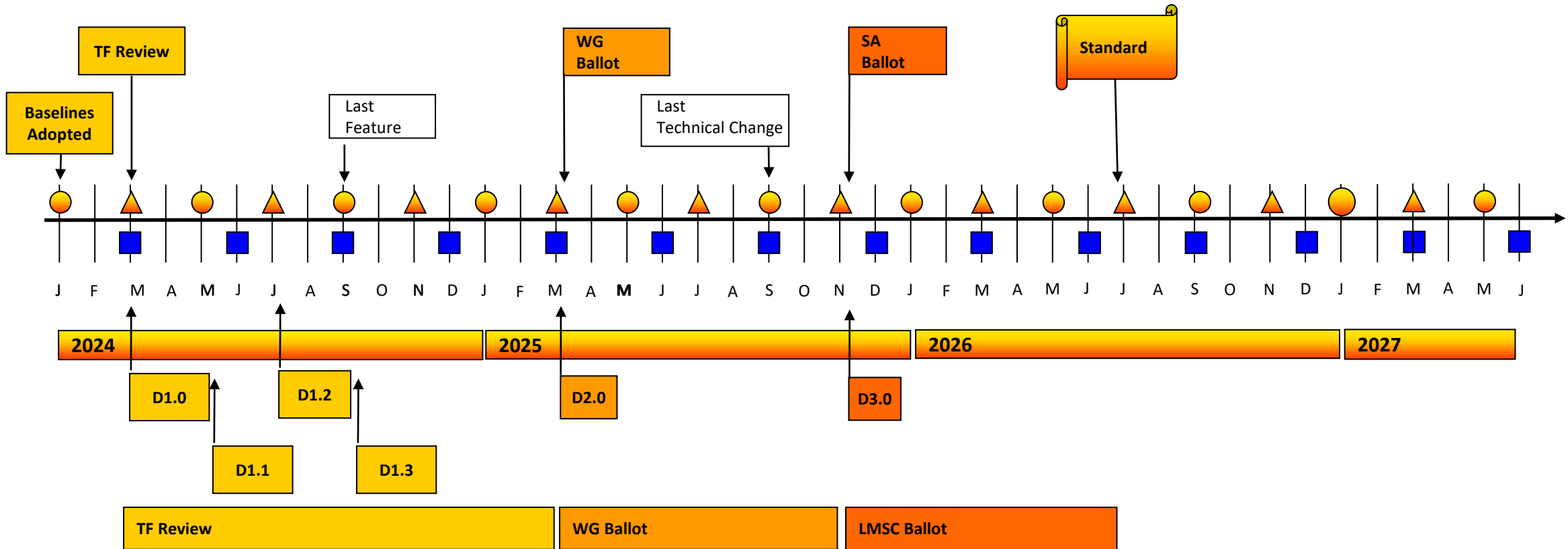
# Introduction

- **IEEE P802.3dj is a challenging project 😊**
  - **Not your parents' Ethernet Project**
- **Adopted timeline based on “typical” 2-month cycles**
- **Current analysis indicates 3-month cycles for D1.0 to D1.2**

# History as a Lesson

	<b>Speeds</b>	<b>Key New Technologies</b>	<b># PHYSICAL LAYER SPECIFICATIONS</b>	<b># Pages</b>	<b>D1.0 Comments</b>
802.3ba	40G/100G	Logic, 25 Gb/s Optical Signaling	8	457	652
802.3bs	200G/400G	Logic, 50 Gb/s PAM4 Electrical / Optical Signaling, 100G PAM4 Optical Signaling	7	372	261
802.3df	400G / 800G	Logic	7	278	197
<b>802.3dj</b>	<b>200G / 400G / 800G / 1.6T</b>	<b>Logic, including 4 new PCS / FEC sublayers and new BASE-R PMA architecture; 200 Gb/s PAM4 Electrical / Optical Signaling, 2 800 Gb/s Coherent Optical Schemes; Link (segment-by-segment) training</b>	<b>22</b>	<b>698 (D1.0)</b>	<b>???</b>

# Adopted IEEE P802.3dj Timeline (28 Nov 2023)



**Legend**

- ▲ IEEE 802 Plenary
- IEEE 802.3 Interim
- IEEE-SA Standards Board

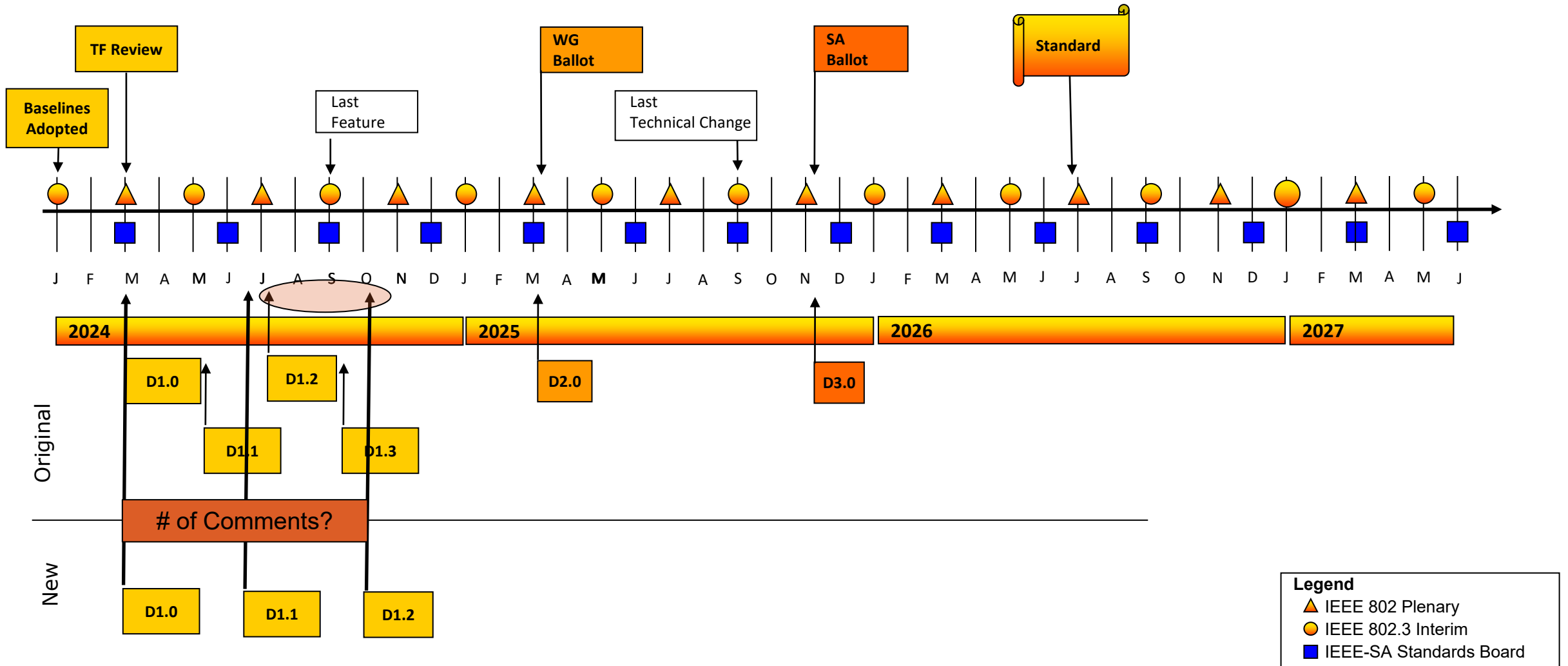
# Announced Near Term Key Dates

- **Task Force Review (D1.0) - 21 Days**
  - **Opens – 4/11**
  - **Closes – 5/2**
- **May Interim – Week of May 13**
- **June Teleconference – Presentations related to supporting comments**
  - **Presentation Request Date – 5/23**
  - **Presentations Due – 5/28**
- **2 Weeks of Teleconferences (9am – 1pm ET)**
  - **6/3 – 6/6**
  - **6/10 – 6/13**

# Detailed 2024 Schedule

d	Monday	Tuesday	Wed	Thursday	Friday	Saturday	Sunday	Draft	Notes
4/1/2024	edit	edit	edit	edit	edit	-	-	1	
4/8/2024	edit	edit	post	review	review	review	review	1	review open 4/11
4/15/2024	review	review	review	review	review	review	review	1	
4/22/2024	review	review	review	review	review	review	review	1	
4/29/2024	review	review	review	review	-	-	-	1	review close 5/2 presentation requests due 5/2
5/6/2024	responses	responses	responses	responses	responses	-	-	1	presentation submissions due 5/7 IEEE 802.3 meeting moratorium
5/13/2024	Interim	Interim	Interim	Interim	-	-	-	1	IEEE 802.3 Interim (Annapolis, MD)
5/20/2024	responses	responses	responses	responses	responses	-	-	1	
5/27/2024	responses	responses	responses	responses	responses	-	-	1	
6/3/2024	CRG	CRG	CRG	CRG	-	-	-	1	
6/10/2024	CRG	CRG	CRG	CRG	edit	-	-	1	
6/17/2024	edit	edit	edit	edit	edit	-	-	1.1	
6/24/2024	edit	edit	edit	edit	edit	-	-	1.1	
7/1/2024	edit	edit	edit	edit	edit	-	-	1.1	
7/8/2024	edit	edit	edit	edit	Post	-	-	1.1	IEEE 802.3 meeting moratorium
7/15/2024	Plenary	Plenary	Plenary	Plenary	-	-	-	1.1	IEEE 802.3 Plenary (Montreal, QC)
7/22/2024	review	review	review	review	review	review	review	1.1	
7/29/2024	review	review	review	review	review	review	review	1.1	
8/5/2024	review	review	review	review	review	review	review	1.1	
8/12/2024	responses	responses	responses	responses	responses	-	-	1.1	
8/19/2024	responses	responses	responses	responses	responses	-	-	1.1	
8/26/2024	responses	responses	responses	responses	responses	-	-	1.1	
9/2/2024	-	-	CRG	CRG	-	-	-	1.1	
9/9/2024	-	-	-	-	-	-	-	1.1	IEEE 802.3 meeting moratorium
9/16/2024	Interim	Interim	Interim	Interim	-	-	-	1.1	IEEE 802.3 Interim Meeting (Hamburg,
9/23/2024	CRG	CRG	CRG	CRG	-	-	-	1.1	
9/30/2024	CRG	CRG	CRG	CRG	edit	-	-	1.2	
10/7/2024	edit	edit	edit	edit	edit	-	-	1.2	
10/14/2024	edit	edit	edit	edit	edit	-	-	1.2	
10/21/2024	edit	edit	edit	edit	review	review	review	1.2	
10/28/2024	review	review	review	review	review	review	review	1.2	
11/4/2024	review	review	review	review	review	-	-	1.2	IEEE 802.3 meeting moratorium
11/11/2024	Plenary	Plenary	Plenary	Plenary	-	-	-	1.2	IEEE 802.3 Plenary (Vancouver, BC)

# Estimate of IEEE P802.3dj Timeline (Comparison / Forecast)



# Going Forward

- **The IEEE P802.3dj project is large and is defining a plethora of new technologies**
- **Forecasted 3-month delay by publication of D1.2**
- **The number of comments expected with D1.0 – D1.2 unknown**
- **Proposal – Defer proposing new project timeline for adoption until development of D1.2**
  - **Leadership will evaluate project progress at this point to determine future of project**
    - **Project “split” necessary ????**