

# IEEE P802.3cw Task Force: 400 Gb/s over DWDM Systems

## Opening Report

John D'Ambrosia

Futurewei, U.S. Subsidiary of Huawei  
IEEE 802 Mar 2022 Electronic Plenary

10 Mar 2022

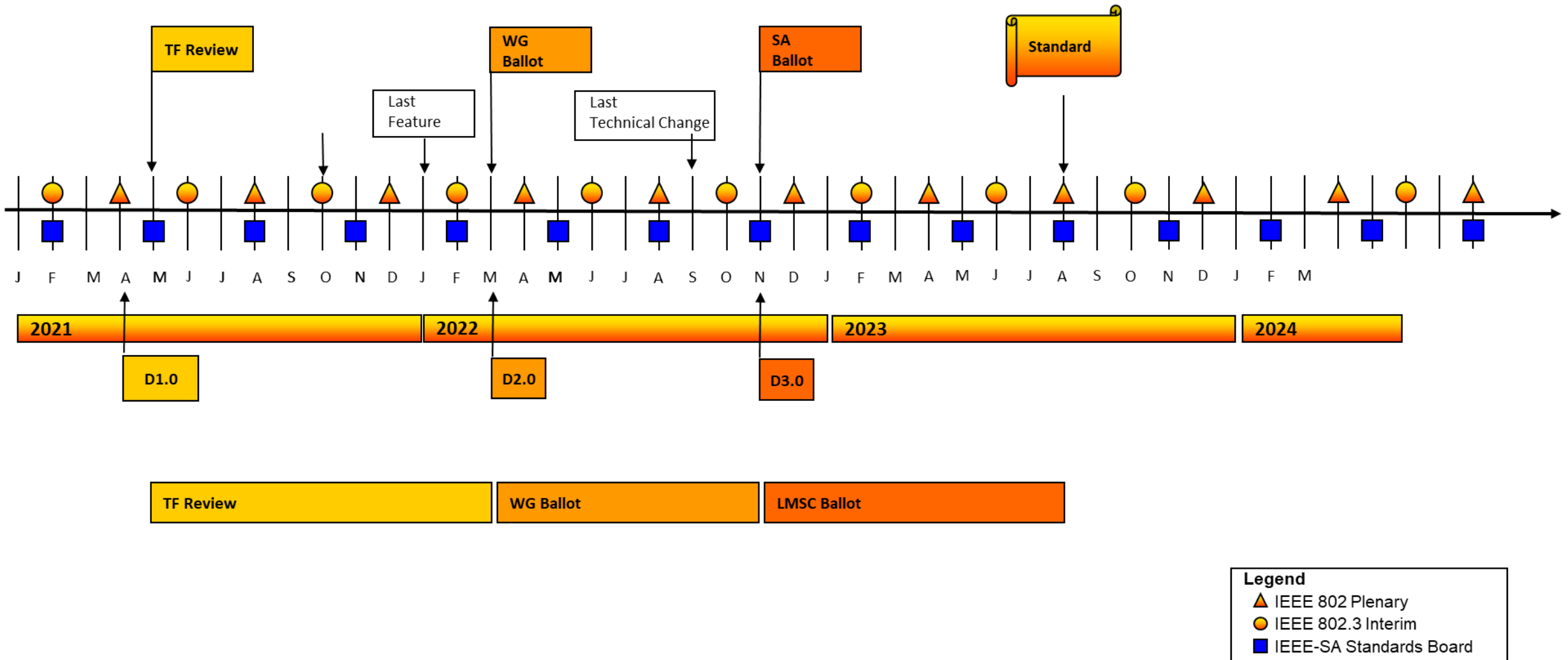
# IEEE P802.3cw Task Force Project information

---

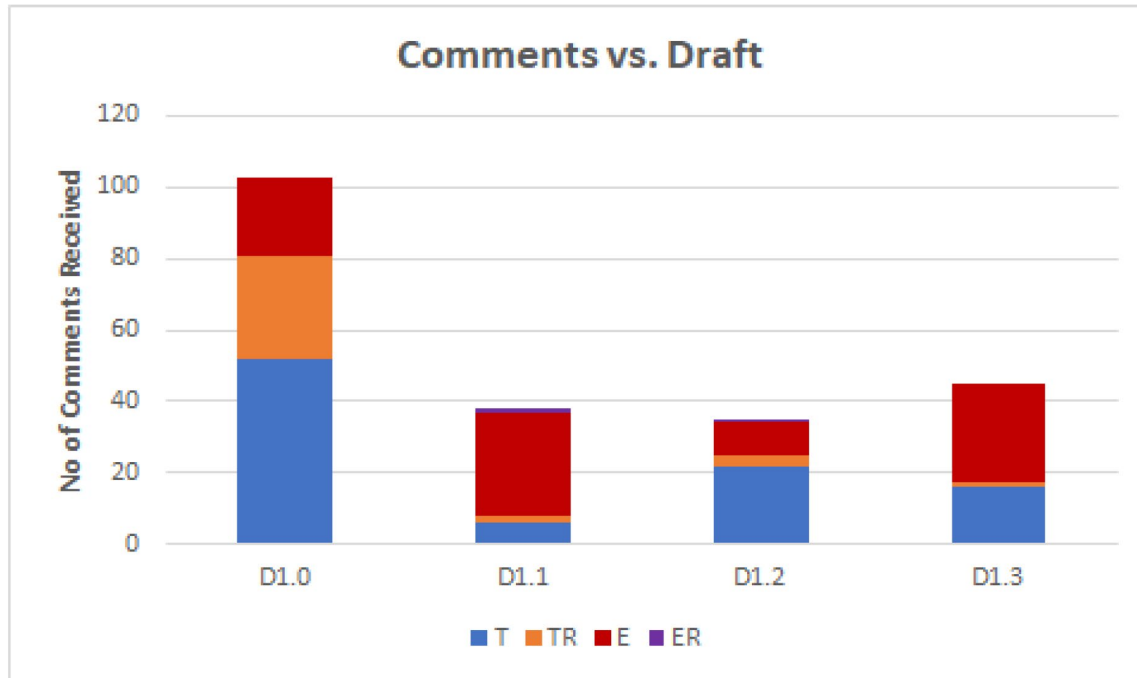
## Task Force Organization

- John D'Ambrosia, Chair, IEEE P802.3cw Task Force
- Editorial Team
  - Tom Issenhuth – Chief Editor, 400 GbE Optical PHY Clause
  - David Lewis - 400 GbE PCS/PMA Clauses
- Task force web and reflector information
  - Reflector: <http://www.ieee802.org/3/ct/reflector.html>
  - Home page: <http://www.ieee802.org/3/cw/index.html>
- Project Documentation –
  - PAR : [http://www.ieee802.org/3/cw/proj\\_doc/P802d3cw\\_PAR.pdf](http://www.ieee802.org/3/cw/proj_doc/P802d3cw_PAR.pdf)
  - CSD: <https://mentor.ieee.org/802-ec/dcn/19/ec-19-0219-00-ACSD-p802-3cw.pdf>
  - Objectives: [http://www.ieee802.org/3/cw/proj\\_doc/3cw\\_Objectives\\_190911.pdf](http://www.ieee802.org/3/cw/proj_doc/3cw_Objectives_190911.pdf)
  - Timeline: [https://www.ieee802.org/3/cw/proj\\_doc/timeline\\_3cw\\_210927.pdf](https://www.ieee802.org/3/cw/proj_doc/timeline_3cw_210927.pdf)
- Ad Hoc page: <http://www.ieee802.org/3/ct/public/adhoc/index.html>

# Updated Timeline (Adopted by IEEE P802.3cw TF – 27 Sept 2021)



# Project Update (From Jan 2022 Report)



## During 4 Task Force Reviews

- Total of 225 comments by 13 commenters
- 35 of 59 TBDs remaining (14 TBDs – “Adjacent Channel Isolation”)

## Big Ticket Item – Transmitter Quality Metric

- Error Vector Magnitude (EVM) adopted, but with understanding it had to be tested / validated with test data
- Limited test data submitted to validate EVM (3/19, 7/19, 11/20)
- Interoperability testing, including measured EVM (11/21)
- Other organizations
  - OIF – EVM - future work item
  - ITU-T – work item removed, “very limited outlook sufficient measurement data would be contributed within foreseeable future...”
- Detailed proposals for other approaches not submitted

## 1/17 - Discussion regarding future of 802.3cw

Straw poll - Do you intend to submit test data towards the definition of the DP-16QAM Tx quality metric: such as according to the agreed test plan (See [https://www.ieee802.org/3/cw/tools/EVMTQM\\_211025.pdf](https://www.ieee802.org/3/cw/tools/EVMTQM_211025.pdf))

a)	March 2022	1
b)	May 2022	5
c)	July 2022	2
d)	After July 2022	2
e)	Do not plan to submit data	25

# Activities Since Jan 2022 Report to 802.3WG

---

- 5<sup>th</sup> Task Force Review

- Opened 24 Jan 2022
- Closed 23 Feb 2022
- Results
  - Total 19 Comments (3T, 16E) from 2 individuals (includes Chief Editor)
- Extended to 11 Mar 2022
  - As of submission of this report, no new comments submitted)

- EVM Ad hoc Meeting

- 23 Feb 2022
  - Update to interop presentation previously submitted
  - Minutes -  
[https://www.ieee802.org/3/cw/public/adhoc/22\\_0223/minutes\\_3cw\\_220223\\_unapproved.pdf](https://www.ieee802.org/3/cw/public/adhoc/22_0223/minutes_3cw_220223_unapproved.pdf)
  - No contributions related to development of EVM

## Plans for March Plenary

---

- Overview of comments submitted
- One technical presentation –
  - “400GBASE-ZR Performance versus Tx EVM”
- Working Session – address TBDs
- Consider liaison from OIF
- Need to review timeline – MISSED GOING TO WG BALLOT

# Questions?

# Thank you!