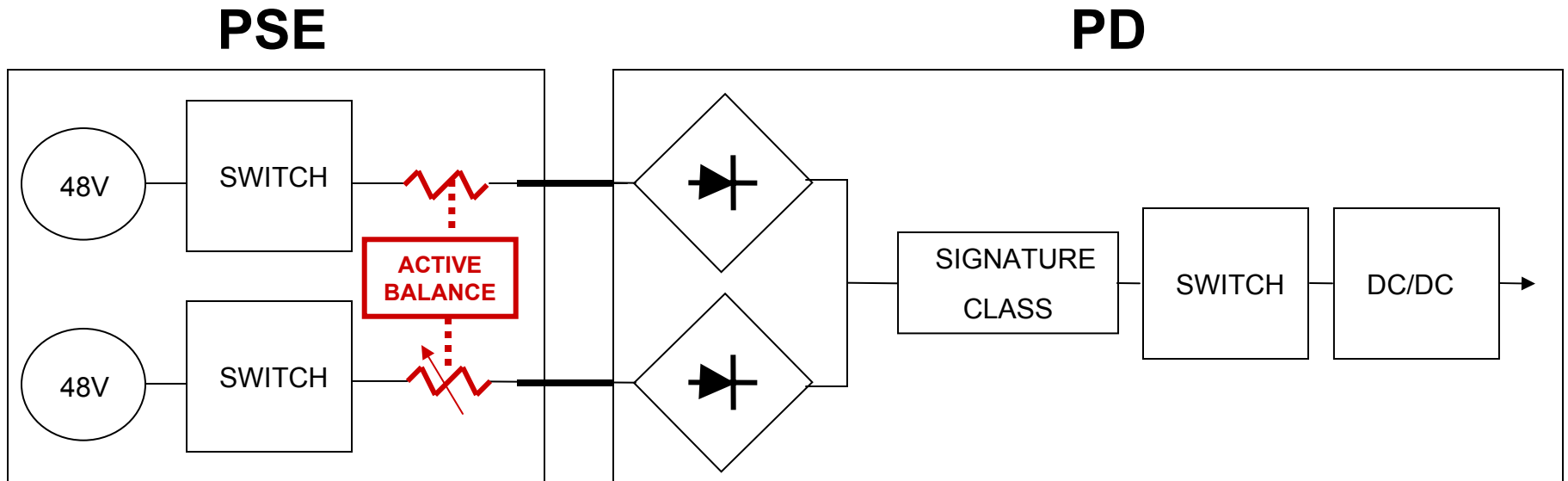
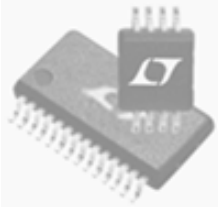


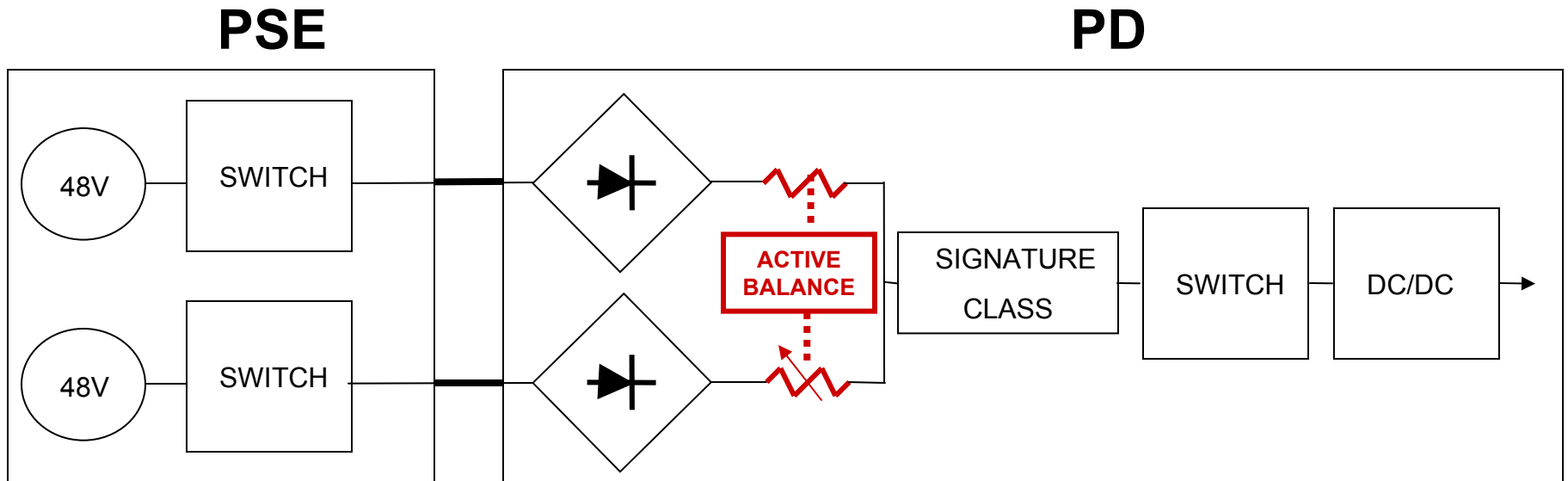
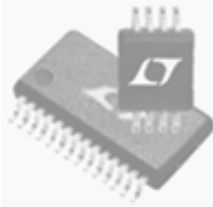
4-Pair Current Balancing Can Be Implemented in PSE



Balance in PSE

PSE balancing allows same PD schematic for .af, .at2P and .at4P Implementations

4-Pair Current Balancing Can Be Implemented in PD Front End

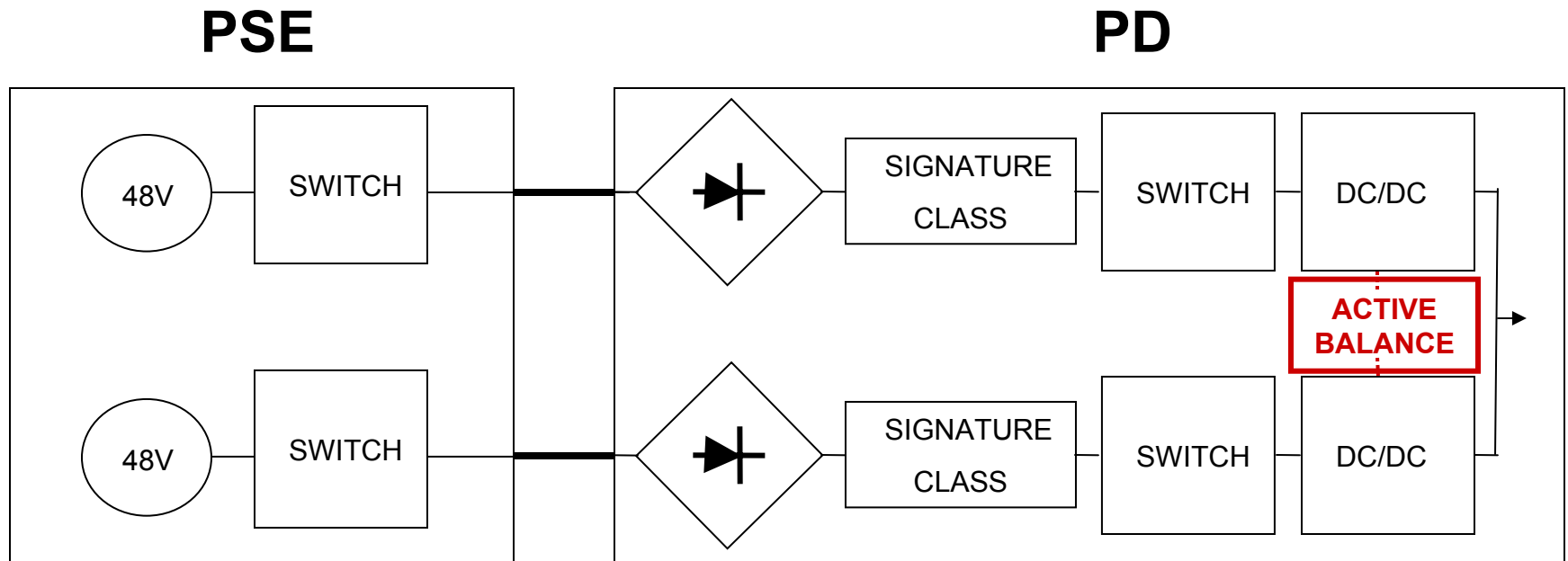
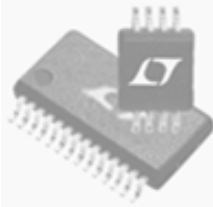


Balance in PD Front End

Allows single signature/class front end

4P PD ($\leq \sim 30W$) is compatible with 2P & 4P PSEs

4-Pair Current Balancing Can Be Implemented in PD Back End



PD Back End balancing is low loss but requires 2 DC/DC Converters!

↑
**Balance PD
Back End**