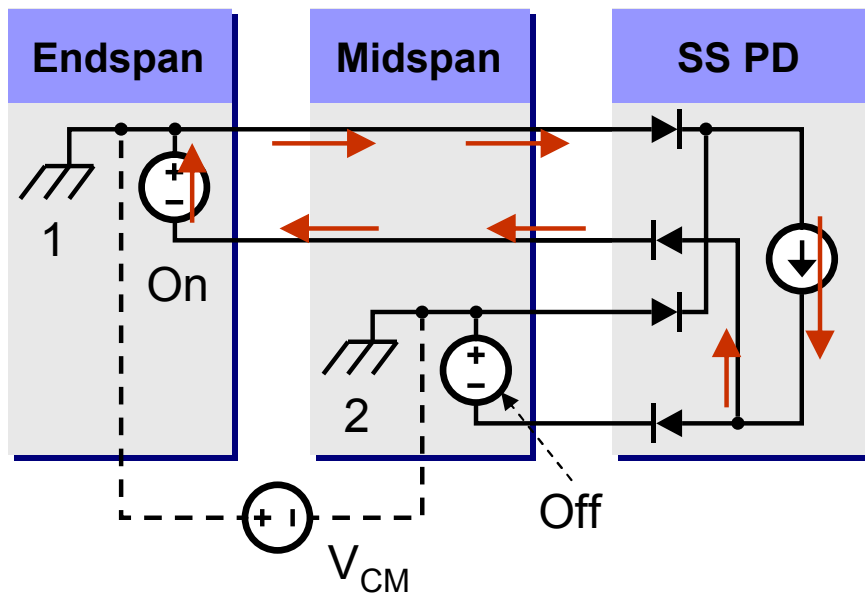


Potential Ground Loop

- If both Endspan and Midspan are connected to chassis, the return current can take an unexpected path depending on the polarity of the common-mode voltage.

Expected Path



Unexpected Path

